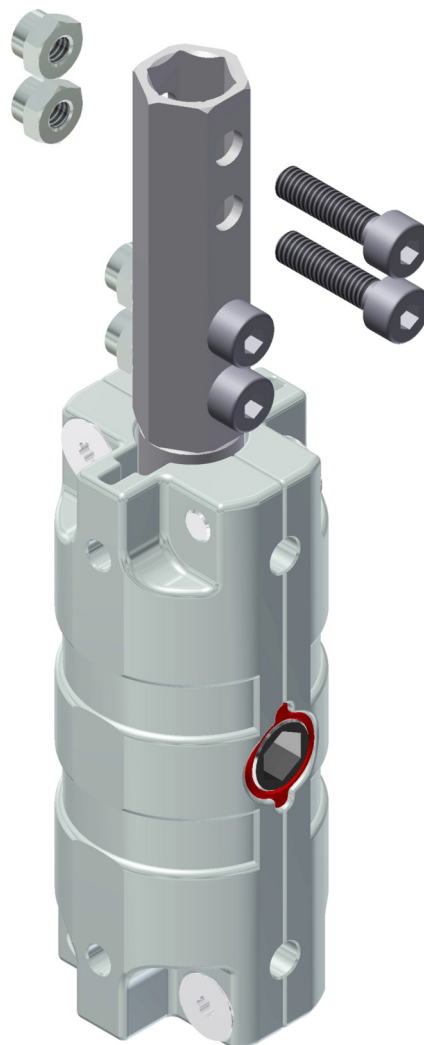


Bevel gear



Bevel Gears

3 0 5 7



Description:

Compact gear for big umbrellas, dividing wall systems and engineering.

Special features:

A special toothing ensures a smooth running of the gear.

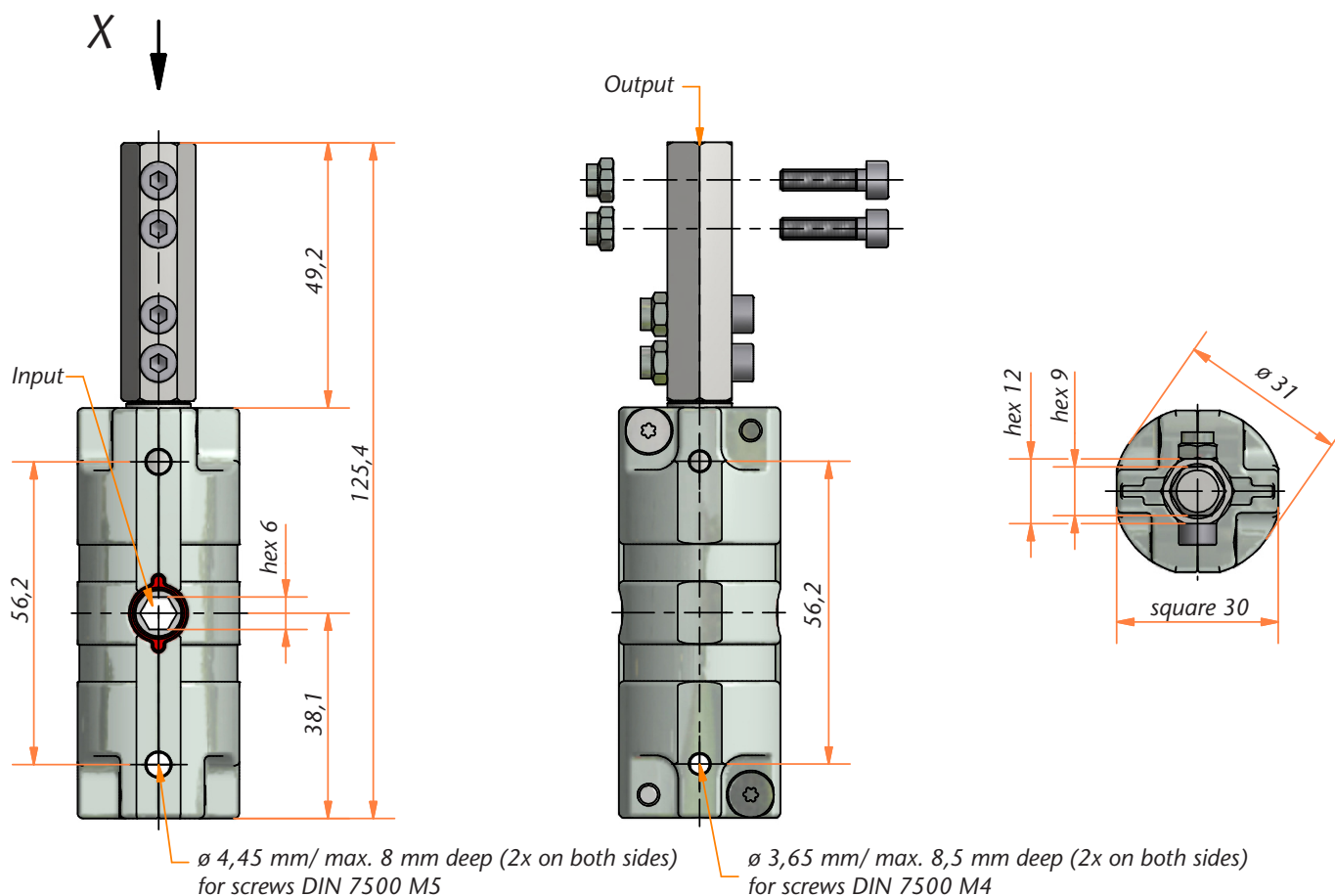
- Ratio 1 : 2
- Housing made of die-cast zinc
- Case-hardened bevel wheels
- Simple mounting

Customer specific:

Input and output can be modified to a customer specific appliance.

Gear can be combined with various spindles.

Bevel gear 3057



Technical Data

Model	3057.00-0010
Ratio	1 : 2
Input	hex 6 mm
Output	hex 9 mm
Number of bevel wheels	2
Housing material	die-cast zinc
Max. drive torque	2,5 Nm
Max. traction load static	8000 N
Max. pressure load static	5000 N

Application example

