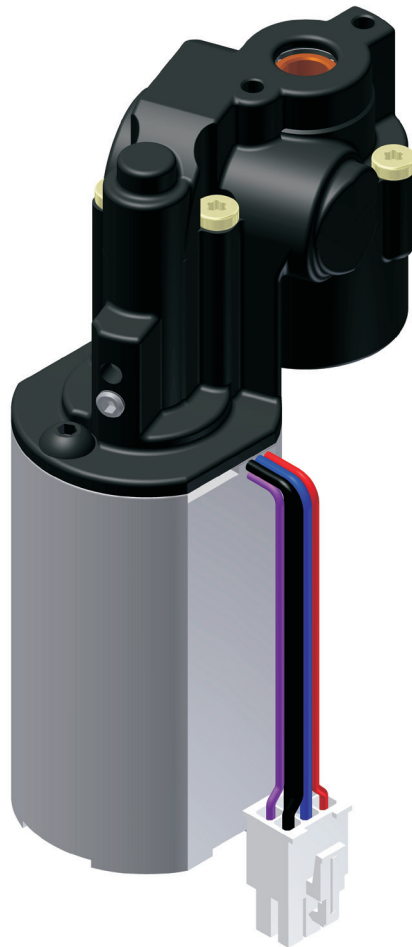


## Motor drive



Motor Drives

3121



### Description

Motor drive with through-going hexagon socket.

### Special features

Integrated position measuring system. Simple upgrade from manual to motorized solution.

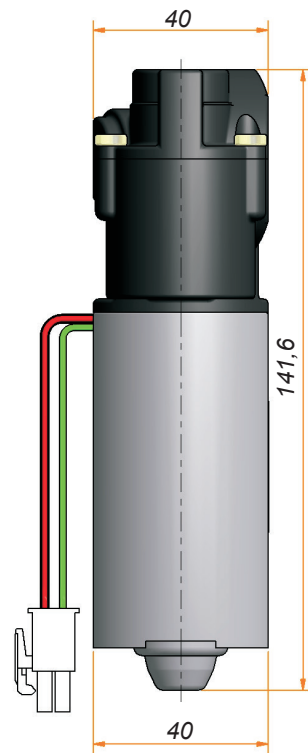
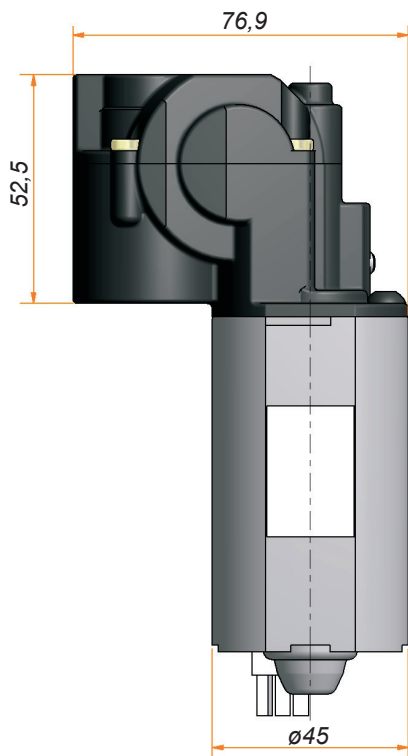
### Customer specific

Compact motor drive for customer specific applications. Motor drive is parallel to the connecting rod.

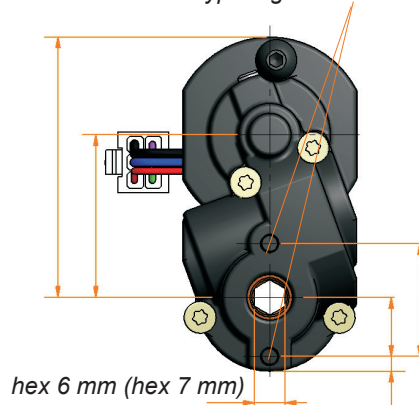
### Caution

See technical data sheet.

# Motor drive 3121



Fastening bores for self-tapping screw  
tightening torque 1.8 Nm  
screw type e.g. WN1452-K40xXX



## Technical Data

| Model                      | 3121.00-2002                | 3121.00-2003                |
|----------------------------|-----------------------------|-----------------------------|
| <b>Motor</b>               | DC Motor 24 V               | DC Motor 24 V               |
| <b>Sensor/Power supply</b> | Hall/5 V DC/0.3 A           | Hall/5 V DC/0.3 A           |
| <b>Protection class</b>    | IP30                        | IP30                        |
| <b>Duty cycle</b>          | 20% (at 5 min.)             | 20% (at 5 min.)             |
| <b>Idle running speed</b>  | 150 rpm (24 V)<br>150 rpm * | 150 rpm (24 V)<br>150 rpm * |
| <b>Input</b>               | inner hex 6 mm              | inner hex 7 mm              |
| <b>Max. drive torque</b>   | 3 Nm                        | 3 Nm                        |

\* in combination with LogicData control box Compact-3



***Your partner in quality engineering products since 1986***

Thank you for viewing product information on TEA's range of engineering components.

Now please contact us at the nearest office to you for any further information, prices and availability:



**AUSTRALIA & New Zealand**  
**T.E.A. Transmissions Pty Ltd**  
Tahiti Road  
Tiaro Qld 4650  
Australia

Ph: 61-(0)7 4129 2533  
Fax: 61-(0)7 4129 2437  
Email: [sales@tea.net.au](mailto:sales@tea.net.au)  
[www.tea.net.au](http://www.tea.net.au)



**USA, South America & Canada**  
**T.E.A. Machine Components Inc.**  
2281-F Dabney Road  
Richmond Virginia 23230  
USA

Ph: 1-804-342-0004  
Fax: 1-804-342-0006  
Email: [sales@teausa.net](mailto:sales@teausa.net)  
[www.teausa.net](http://www.teausa.net)

**You are assured of prompt and efficient service at all time.**