

Bevel gear

stepless
height adjustment

3 8 2 6



Description:

Gear for stepless height adjustment for school furniture, office furniture and work stations. The gear is suited for the mounting in tubes with an inside diameter of 25 mm.

Special features:

The bevel gear will be delivered completely with input spindle and the suitable spindle nuts.

- Ratio 1 : 1
- Housing made of zinc die-casting
- Case hardened steel cog wheels

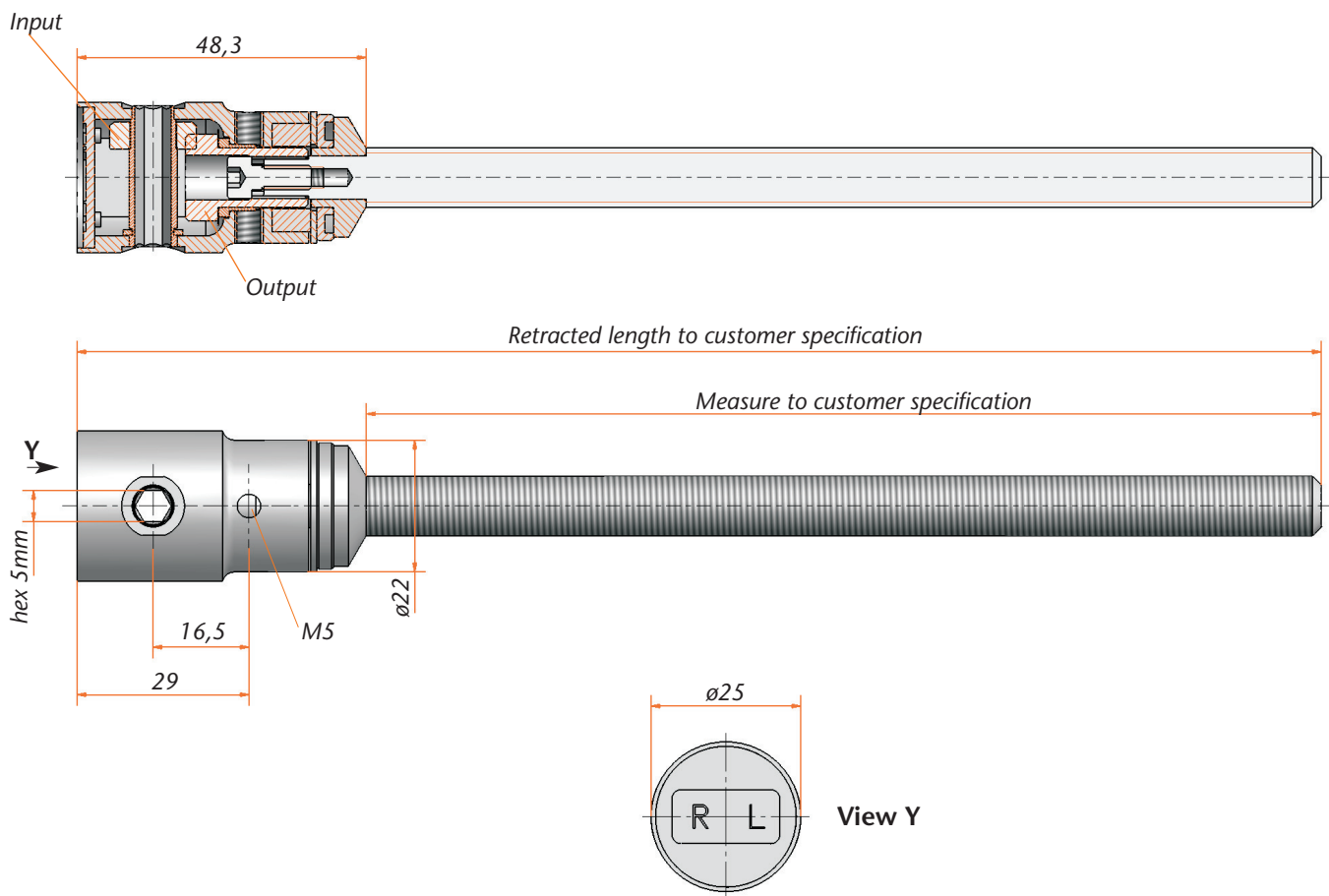
Customer specific:

The gear can be supplied with various spindle lengths, spindle pitches and suitable nuts.

Caution:

Please take into account that depending on the spindle pitch, the system could back-drive.

Bevel gear 3826



Technical Data

Model	3826
Ratio	1 : 1
Input	6ktSW5 mm
Stroke max.	customer specific
Retracted length	customer specific
Max. Hubkraft	400 bei Tr10x3 N
Max. Antriebsdrehmoment	1,5 Nm