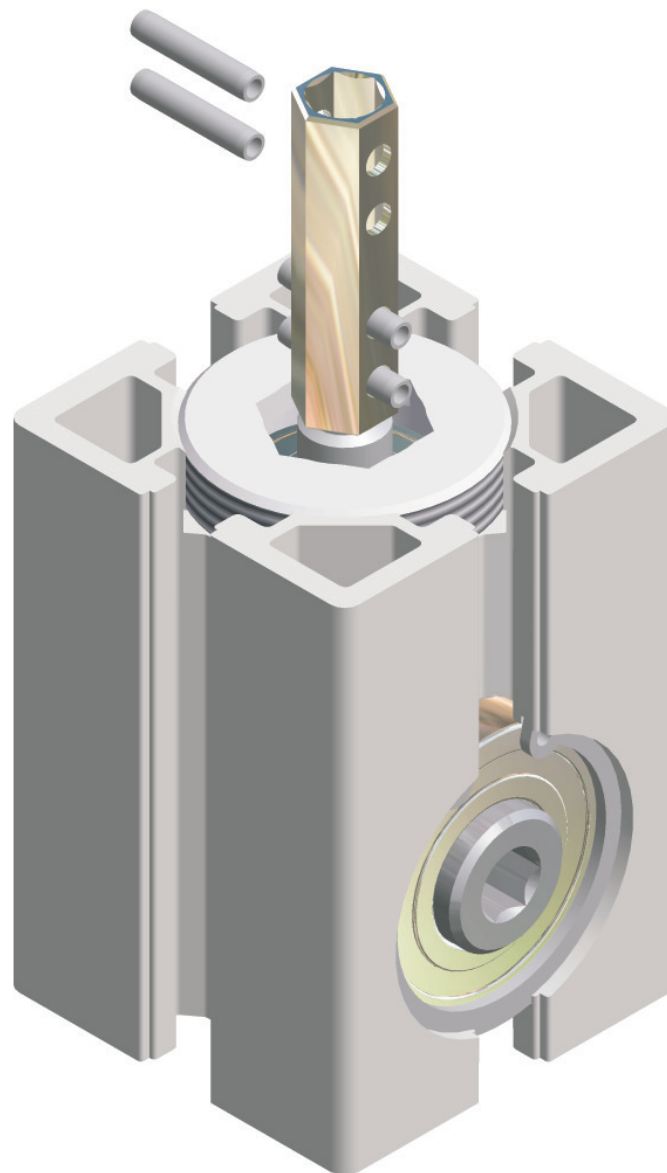


## Bevel gear



sun protection

3 8 7 5



### Description:

Compact gear for big umbrellas.

### Special features:

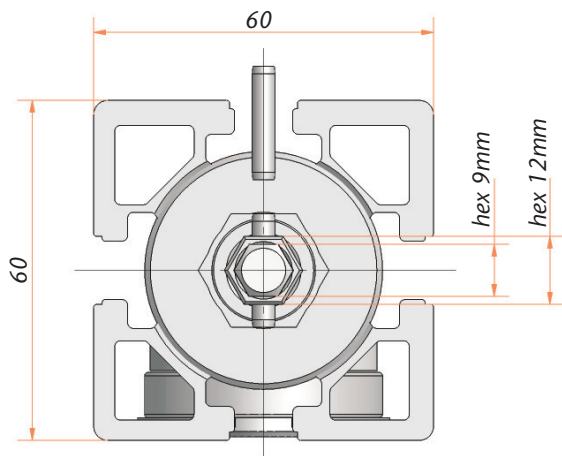
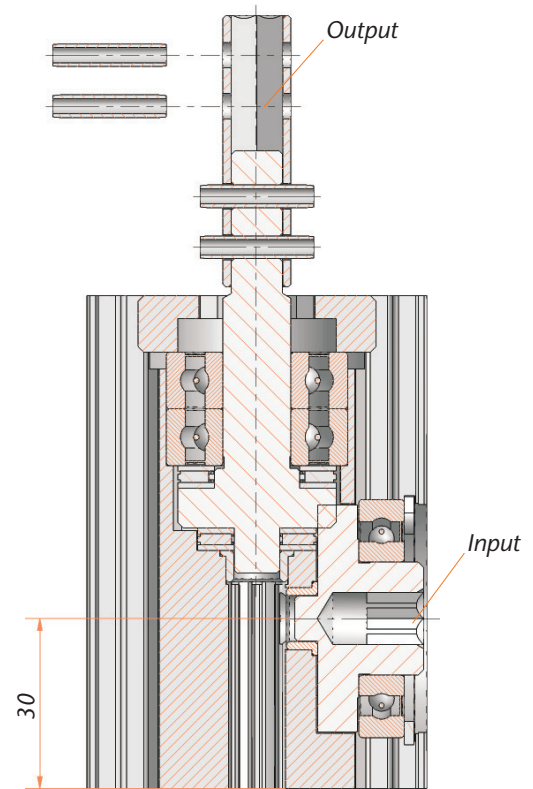
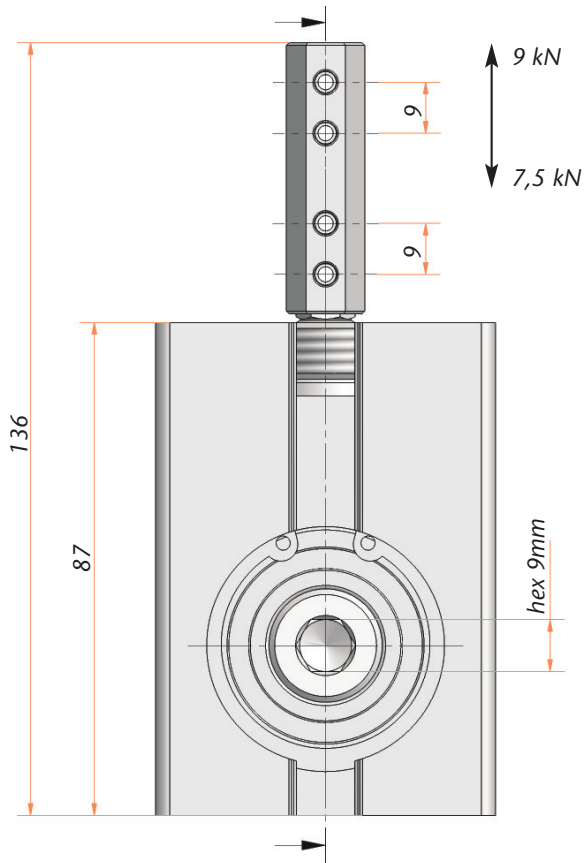
The NWF-special gearing ensures a smooth running of the gear.

- Ratio 1 : 1,5
- Housing made of aluminium profile
- Cog wheels made of case hardened steel

### Customer specific:

Input and output can be modified to customer specific applications.

# Bevel gear 3875



## Technical Data

Model	3875
Ratio	1 : 1,5
Input	hex 9 mm
Output	hex 9 mm
Number of cog wheels	2
Housing material	aluminium profile
Max. output torque	8 Nm