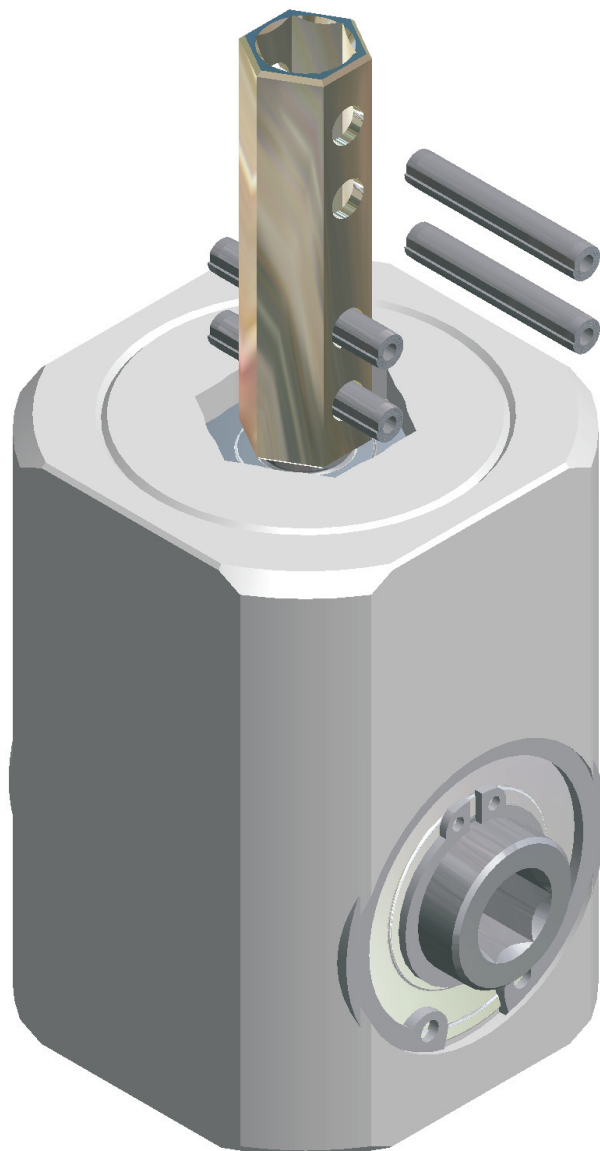


Bevel gear



Bevel Gears

4 8 0 8



Description:

Compact gear for big umbrellas, engineering.

Special features:

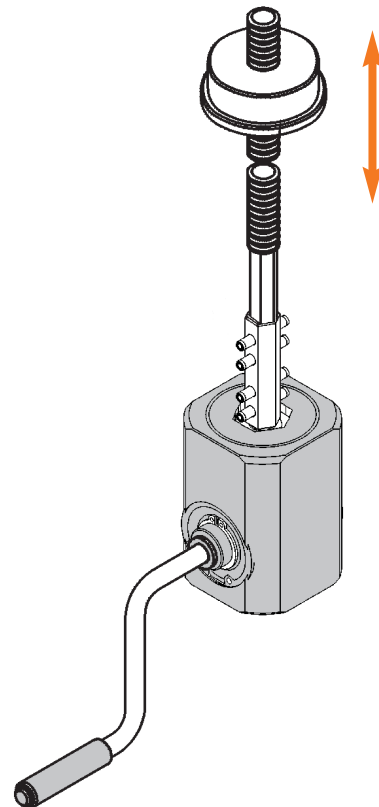
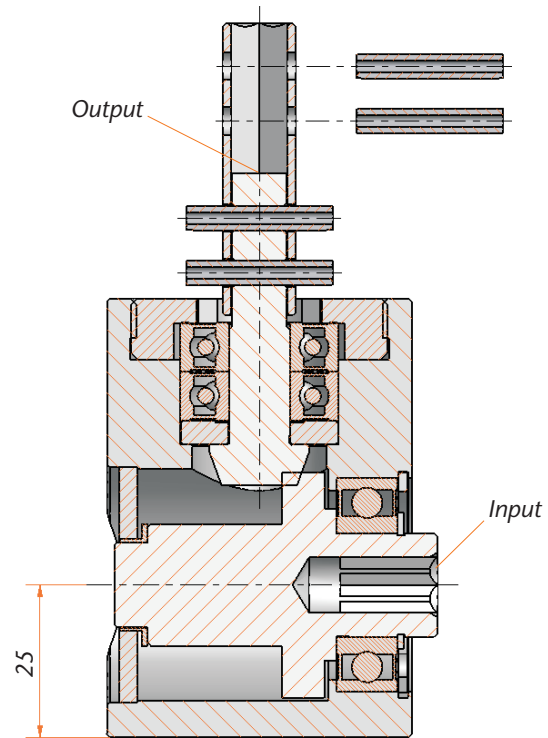
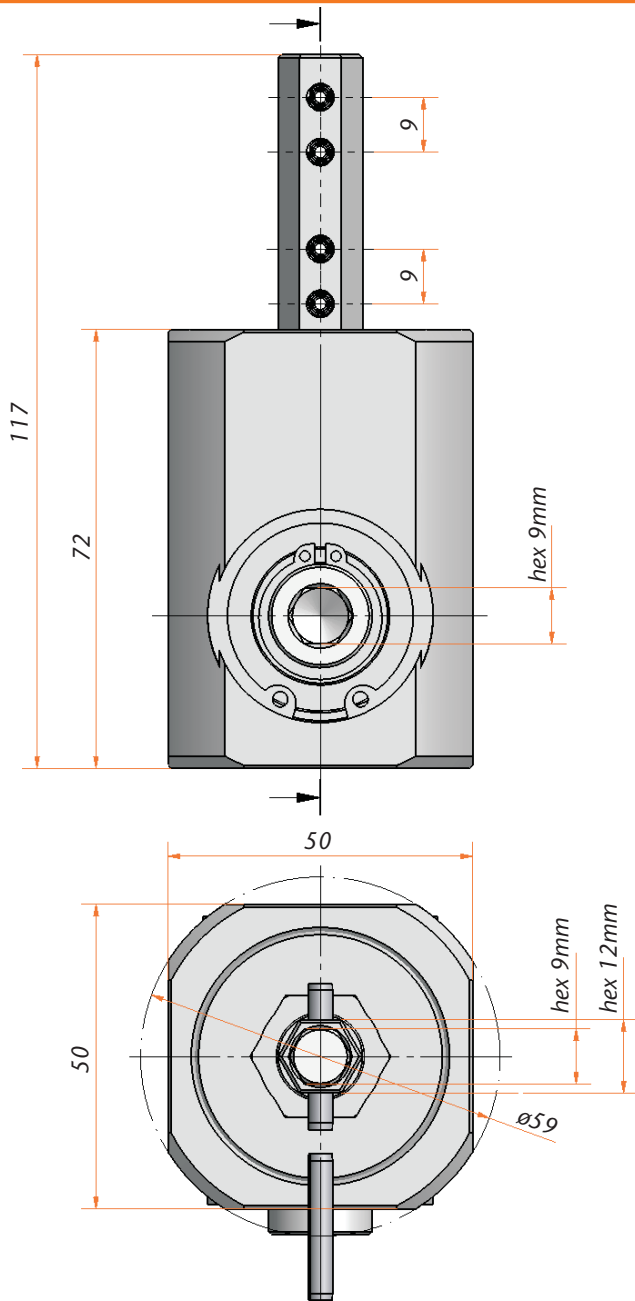
A special toothing ensures a smooth running of the gear.

- Ratio 1 : 4
- Housing made of aluminium
- Case-hardened bevel wheels

Customer specific:

Input and output can be modified to a customer specific appliance.

Bevel gear 4808



Technical data

Model	4808
Ratio	1 : 4
Input	hex 9 mm
Output	hex 9 mm
Number of bevel wheels	2
Housing material	aluminium
Max. drive torque	6 Nm
Max. traction load static	8000 N
Max. pressure load static	10000 N