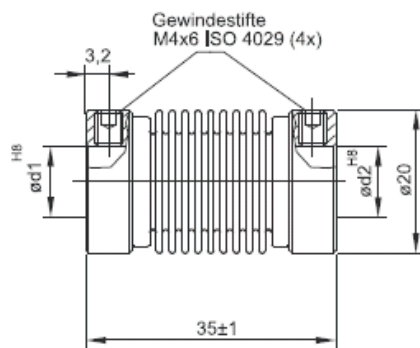
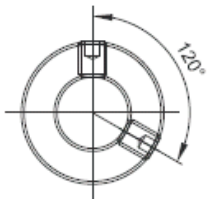
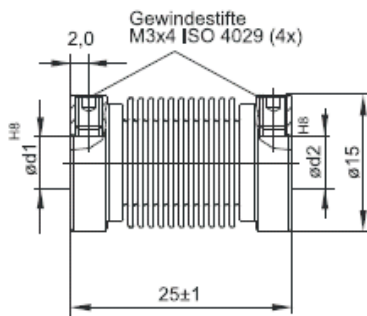
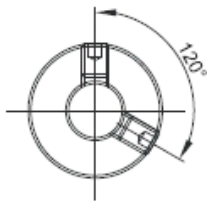
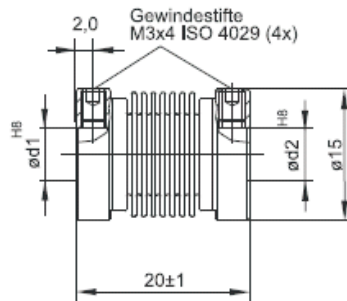
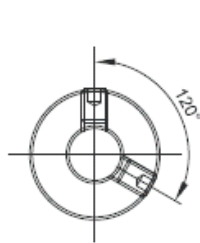


Couplers

Bellows Couplings Stainless Steel with Aluminium Flange



Technical Data		BKXS 1520	BKXS 1522	BKXS 1525	BKXS 2029	BKXS 2035
Max. speed	min ⁻¹	10000	10000	10000	10000	10000
Max. torque	Ncm	40	40	40	120	100
Max. radial offset	mm	±0.2	±0.25	±0.3	±0.25	±0.3
Max. axial offset	mm	±0.4	±0.45	±0.5	±0.4	±0.5
Max. angular offset	degree	±3	±4	±4	±4	±4
Torsion spring stiffness	Nm/rad	90	85	70	150	140
Radial spring stiffness	n/mm	40	20	15	25	10
Moment of inertia	gcm ²	2	2.1	2.3	8	9
Max. clamping torque	Ncm	70	70	70	150	150
Weight approx.	g	6	6.5	7	15	16
Flange material		Anodised Alu.	Anodised Alu.	Anodised Alu.	Anodised Alu.	Anodised Alu.
Bellows material		Stainless steel	Stainless Steel	Stainless steel	Stainless steel	Stainless steel



d ₁ mm	d ₂ mm	Part Number
3	3	BKXS 1520 03/03
3	5	BKXS 1520 03/05
3	6	BKXS 1520 03/06
4	4	BKXS 1520 04/04
4	5	BKXS 1520 04/05
4	6	BKXS 1520 04/06
5	5	BKXS 1520 05/05
6	6	BKXS 1520 06/06
8	8	BKXS 1520 08/08

d ₁ mm	d ₂ mm	Part Number
3	3	BKXS 1525 03/03
3	5	BKXS 1525 03/05
3	6	BKXS 1525 03/06
4	4	BKXS 1525 04/04
4	5	BKXS 1525 04/05
4	6	BKXS 1525 04/06
5	5	BKXS 1525 05/05
6	6	BKXS 1525 06/06

d ₁ mm	d ₂ mm	Part Number
4	4	BKXS 2035 04/04
4	6	BKXS 2035 04/06
6	6	BKXS 2035 06/06
6	10	BKXS 2035 06/10
63	63	BKXS 2035 1/4"/1/4"
8	8	BKXS 2035 08/08
95	95	BKXS 2035 3/8"/3/8"
10	10	BKXS 2035 10/10
10	12	BKXS 2035 10/12
12	12	BKXS 2035 12/12

Please contact T.E.A. for dimensional drawings for BKXS 1522 and BKXS 2029.
Additional bore sizes available on request.
All specifications are subject to change without notice.

Ø63 ± Ø6.325mm ± Ø 1/4"
Ø95 ± Ø9.52mm ± Ø 3/8"



**Thank you! For viewing product information on the T.E.A.
range of engineering components.**

T.E.A. Transmissions Pty Ltd

349 Tahiti Rd, Tiaro

Qld 4650 AUSTRALIA

Ph: 61-(0)7 4129 2533

Fax: 61-(0)7 4129 2437

sales@tea.net.au

www.tea.net.au



Your partner in quality engineering components since 1986