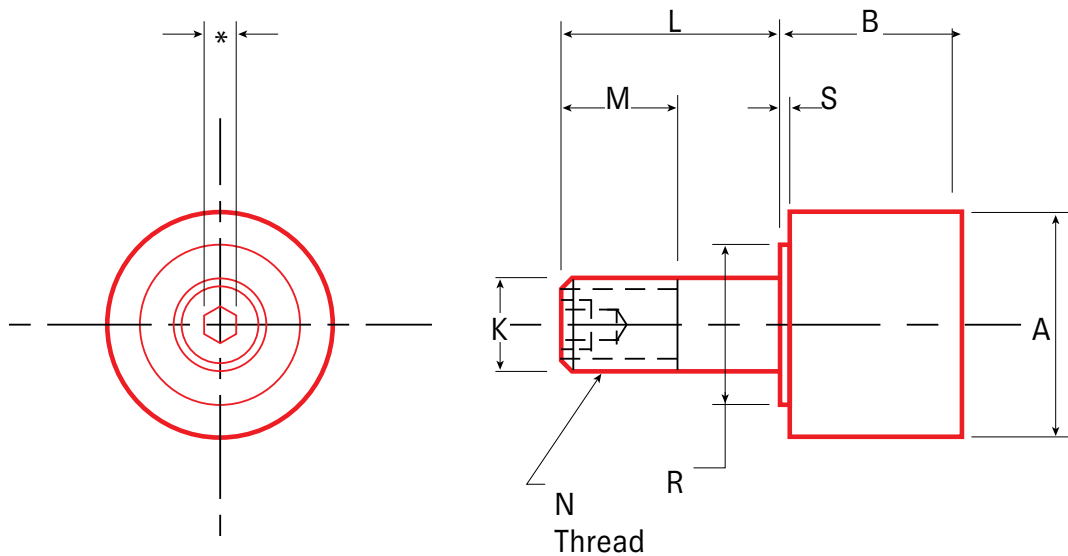


# LOAD RUNNERS

## Plain - Concentric Stud Style - Inch Sizes



For metric sizes, please turn to page 28

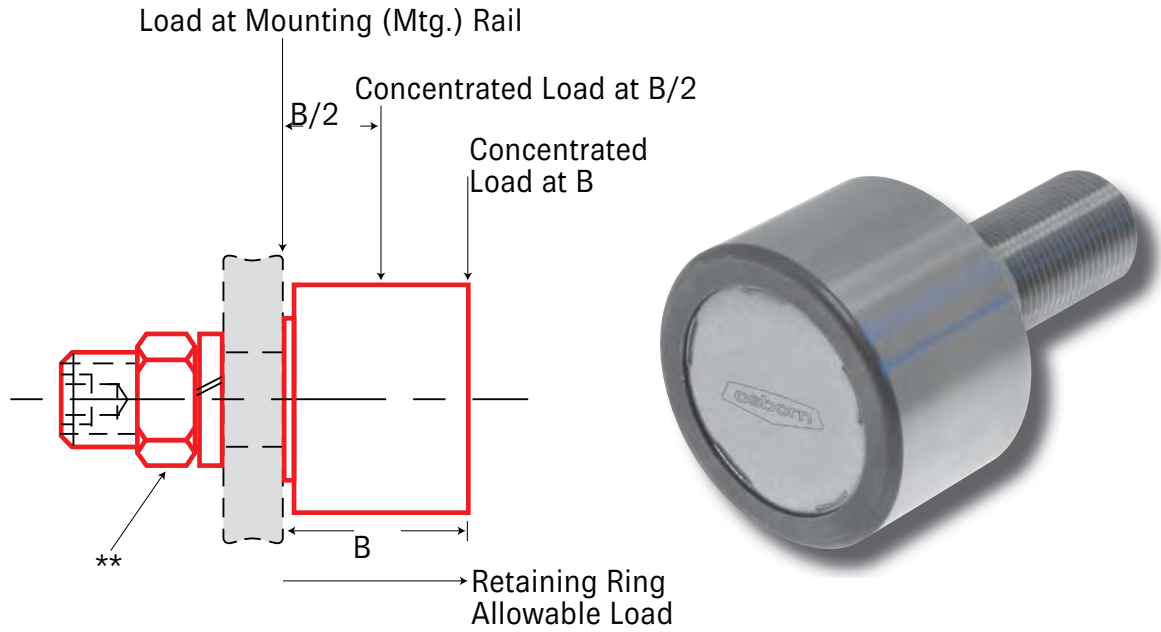
Part No.	Item No.	A	B	K	L	M	N	R	S	Rec. Mtg. Hole Size	Mounting Member Thickness	
		Roller Dia	Roller Width	Stud Dia	Stud Length	Thread Length	Thread	Shoulder Diameter	Shoulder Length		Max	Min
		+0.000 -0.001		+0.000 -0.001							+0.001 -0.000	
<b>PLR-1</b>	97318	1.000	0.781	0.437	1.000	0.500	7/16-20	0.500	0.031	0.438	0.625	0.500
<b>PLR-1-1/8</b>	97319	1.125	0.781	0.437	1.000	0.500	7/16-20	0.500	0.031	0.438	0.625	0.500
<b>PLR-1-1/4</b>	97320	1.250	0.844	0.500	1.250	0.625	1/2-20	0.625	0.031	0.501	0.750	0.625
<b>PLR-1-3/8</b>	97321	1.375	0.844	0.500	1.250	0.625	1/2-20	0.625	0.031	0.501	0.750	0.625
<b>PLR-1-1/2</b>	95086	1.500	1.187	0.625	1.500	0.750	5/8-18	0.750	0.062	0.626	1.000	0.750
<b>PLR-1-3/4</b>	95112	1.750	1.187	0.750	1.750	0.875	3/4-16	1.000	0.062	0.751	1.125	0.875
<b>PLR-1-3/4-5</b>	95115	1.750	1.437	0.500	0.875	0.750	1/2-13NC	0.625	0.312	0.501	-	-
<b>PLR-2</b>	95125	2.000	1.687	0.875	2.000	1.125	7/8-14	1.000	0.062	0.876	1.250	0.875
<b>PLR-2-3</b>	95126	2.000	1.375	0.875	2.000	1.125	7/8-14	1.000	0.062	0.876	1.250	0.875
<b>PLR-2-1/4</b>	95152	2.250	1.687	0.875	2.000	1.125	7/8-14	1.000	0.062	0.876	1.250	0.875
<b>PLR-2-1/2</b>	95160	2.500	1.687	1.000	2.250	1.500	1-14	1.250	0.062	1.001	1.250	0.750
<b>PLR-2-1/2-10</b>	95164	2.500	1.812	1.000	2.250	1.500	1-14	1.250	0.187	1.001	1.250	0.750
<b>PLR-2-1/2-16</b>	95165	2.500	1.812	1.000	2.250	1.500	1-14	1.250	0.062	1.001	1.250	0.750
<b>PLR-2-3/4</b>	95190	2.750	1.687	1.000	2.250	1.500	1-14	1.250	0.062	1.001	1.250	0.750
<b>PLR-3</b>	95200	3.000	2.000	1.250	2.500	1.750	1-1/4-12	1.750	0.062	1.251	1.250	1.000
<b>PLR-3-1/4</b>	95245	3.250	2.000	1.250	2.500	1.750	1-1/4-12	1.750	0.062	1.251	1.250	1.000
<b>PLR-3-1/2</b>	95248	3.500	2.000	1.250	2.750	1.750	1-1/4-12	1.750	0.062	1.251	1.500	1.250
<b>PLR-4</b>	95268	4.000	2.000	1.250	2.750	1.750	1-1/4-12	1.750	0.062	1.251	1.500	1.250
<b>PLR-4-1/2</b>	95304	4.500	2.000	1.250	2.750	1.750	1-1/4-12	1.750	0.062	1.251	1.500	1.250
<b>PLR-5</b>	95323	5.000	3.000	2.000	4.500	2.500	2-12	3.250	0.062	2.001	2.750	2.000
<b>PLR-6</b>	95353	6.000	3.000	2.500	5.500	3.250	2-1/2-12	3.250	0.062	2.501	3.250	2.000
<b>PLR-7</b>	95374	7.000	3.000	2.500	5.500	3.250	2-1/2-12	3.250	0.062	2.501	3.250	2.000
<b>PLR-8</b>	95386	8.000	3.000	2.500	5.500	3.250	2-1/2-12	3.250	0.062	2.501	3.250	2.000
<b>PLR-10</b>	95398	10.000	3.000	2.500	5.500	3.250	2-1/2-12	3.250	0.062	2.501	3.250	2.000
<b>PLR-10-1</b>	95399	10.000	5.000	4.250	9.000	4.000	3-1/2-4NC	5.000	0.125	4.252	5.750	5.125

Other sizes available upon request.

\*Refer to stud hex socket size and INSTALLATION NOTES on pages 87-89.

\*\*Lock washer and jam nut available, for size see N dimension.

For special features and custom design considerations, see page 7.

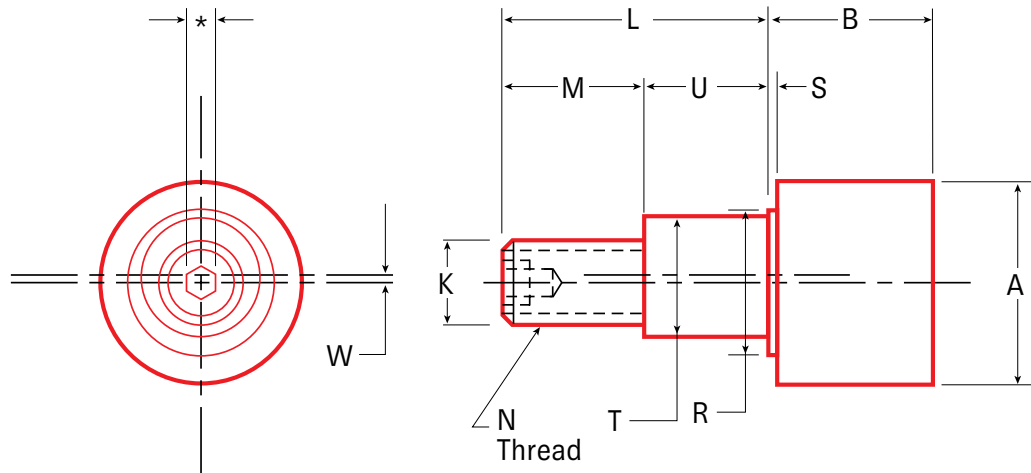


	Ball or Tapered Roller Bearings	Bearing Capacity Radial Load (lbs)			Bearing Capacity, Static Thrust (lbs)	Stud Capacity (lbs)		Retaining Ring Capacity (lbs)	Approx Weight (lbs)	Part No.	
		3000 hrs L10 life @ 100 RPM	500 hrs L10 life @ 33 1/3 RPM	Static Limit		Bending=0.75 Sy					Shear= 0.75 x 0.5 x Sy
						Concent. Load @B/2	Concent. Load @B				
BB	240	630	230	140	480	210	1970	380	0.2	PLR-1	
BB	240	630	230	140	480	210	1970	380	0.3	PLR-1-1/8	
BB	520	1350	600	370	880	390	3250	470	0.3	PLR-1-1/4	
BB	520	1350	600	370	880	390	3250	470	0.4	PLR-1-3/8	
BB	1050	2760	1100	680	1390	650	5780	470	0.5	PLR-1-1/2	
BB	1050	2760	1100	680	1390	650	5780	470	0.8	PLR-1-3/4	
BB	1050	2760	1100	680	480	290	4150	470	0.7	PLR-1-3/4-5	
BB	1460	3830	1620	1000	4010	1500	11610	910	1.3	PLR-2	
BB	1460	3830	1620	1000	3090	1520	11610	910	1.2	PLR-2-3	
BB	1460	3830	1620	1000	4010	1500	11610	910	1.8	PLR-2-1/4	
BB	1980	5190	2270	1400	3730	1770	14580	1340	2.3	PLR-2-1/2	
BB	1980	5190	2270	1400	3730	1770	14580	1340	2.3	PLR-2-1/2-10	
TRB	4570	10880	7630	4570	6920	3700	25920	N/A	2.3	PLR-2-1/2-16	
BB	1980	5190	2270	1400	3730	1770	14580	1340	2.8	PLR-2-3/4	
TRB	6000	14270	20000	12000	12270	6330	40500	N/A	4.0	PLR-3	
TRB	6000	14270	20000	12000	12270	6330	40500	N/A	4.8	PLR-3-1/4	
TRB	6000	14270	20000	12000	12270	6330	40500	N/A	5.5	PLR-3-1/2	
TRB	6000	14270	20000	12000	12270	6330	40500	N/A	7.1	PLR-4	
TRB	6000	14270	20000	12000	12270	6330	40500	N/A	9.0	PLR-4-1/2	
TRB	13990	33290	51900	32500	34120	17350	103670	N/A	19.0	PLR-5	
TRB	15060	35840	56400	33100	66710	33910	161990	N/A	28.0	PLR-6	
TRB	15060	35840	56400	33100	66710	33910	161990	N/A	36.0	PLR-7	
TRB	15060	35840	56400	33100	66710	33910	161990	N/A	49.0	PLR-8	
TRB	15060	35840	56400	33100	66710	33760	161990	N/A	72.0	PLR-10	
TRB	34410	81890	159800	116000	194120	99480	468150	N/A	130.0	PLR-10-1	

LOAD CAPACITIES ARE BASED ON UNIFORM AND STEADY LOADING.  
1 kg = 9,81 N = 2,21 lbs

# LOAD RUNNERS

## Plain - Eccentric Stud Style, Inch Sizes



For metric sizes, please turn to page 30

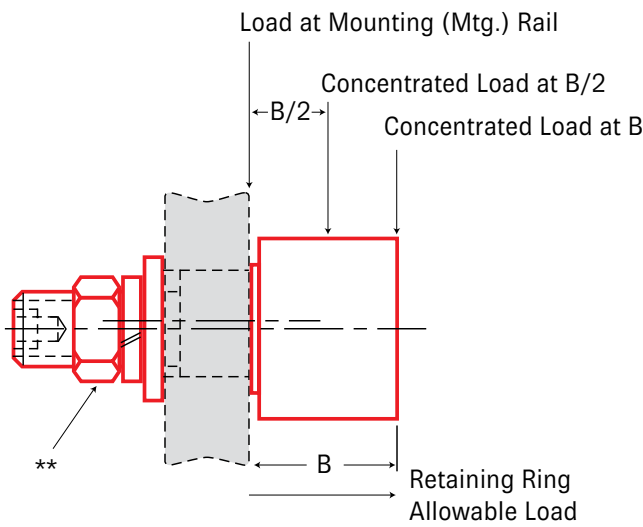
Part No.	Item No.	A	B	K	L	M	N	R	S	T	U	W	Rec. Mtg. Hole Size
		Roller Dia +0.000 -0.001	Roller Width	Stud Dia	Stud Length	Thread Length	Thread	Shoulder Dia	Shoulder Length	Eccentric Dia +0.001 -0.000	Eccentric Length +0.000 -0.010	Eccentricity	
PLRE-1	97322	1.000	0.781	0.437	1.000	0.500	7/16-20	0.750	0.031	0.625	0.500	0.030	0.627
PLRE-1-1/8	97323	1.125	0.781	0.437	1.000	0.500	7/16-20	0.750	0.031	0.625	0.500	0.030	0.627
PLRE-1-1/4	97324	1.250	0.844	0.500	1.250	0.625	1/2-20	0.812	0.031	0.687	0.625	0.030	0.689
PLRE-1-3/8	97325	1.375	0.844	0.500	1.250	0.625	1/2-20	0.812	0.031	0.687	0.625	0.030	0.689
PLRE-1-1/2	95849	1.500	1.188	0.625	1.500	0.770	5/8-18	1.125	0.062	0.875	0.730	0.030	0.877
PLRE-1-3/4	95853	1.750	1.188	0.750	1.750	0.895	3/4-16	1.240	0.062	1.000	0.855	0.030	1.002
PLRE-2	95857	2.000	1.688	0.875	2.000	1.020	7/8-14	1.500	0.062	1.187	0.980	0.030	1.189
PLRE-2-1/4	95863	2.250	1.688	0.875	2.000	1.020	7/8-14	1.500	0.062	1.187	0.980	0.030	1.189
PLRE-2-1/2	95869	2.500	1.688	1.000	2.250	1.145	1-14	1.687	0.062	1.375	1.105	0.030	1.377
PLRE-2-1/2-7	97603	2.500	1.812	1.000	2.250	1.145	1-14	1.687	0.062	1.375	1.105	0.030	1.377
PLRE-2-3/4	95875	2.750	1.688	1.000	2.250	1.145	1-14	1.687	0.062	1.375	1.105	0.030	1.377
PLRE-3	95876	3.000	2.000	1.250	2.500	1.270	1-1/4-12	2.312	0.062	1.750	1.230	0.060	1.752
PLRE-3-1/4	95887	3.250	2.000	1.250	2.500	1.270	1-1/4-12	2.312	0.062	1.750	1.230	0.060	1.752
PLRE-3-1/2	95888	3.500	2.000	1.250	2.750	1.395	1-1/4-12	2.312	0.062	1.812	1.355	0.060	1.814
PLRE-4	95892	4.000	2.000	1.250	2.750	1.395	1-1/4-12	2.312	0.062	1.812	1.355	0.060	1.814
PLRE-5	95900	5.000	3.000	2.000	4.500	2.375	2-12	3.250	0.062	2.625	2.125	0.060	2.627
PLRE-6	95903	6.000	3.000	2.500	5.500	2.625	2-1/2-12	3.625	0.062	3.125	2.875	0.060	3.127

Other sizes available upon request.

\*Refer to stud hex socket size and INSTALLATION NOTES on pages 87-89.

\*\*Lock washer and jam nut available, for size see N dimension.

For special features and custom design considerations, see page 7.



	Mounting Member Thickness		Ball or Tapered Roller Bearings	Bearing Capacity Radial Load (lbs)			Bearing Capacity, Static Thrust (lbs)	Stud Capacity (lbs)			Retaining Ring Capacity (lbs)	Approx Weight (lbs)	Part No.
	Max	Min		3000 hrs L10 life @ 100 RPM	500 hrs L10 life @ 33 1/3 RPM	Static Limit		Bending=0.75 Sy		Shear=0.75 x 0.5 x Sy			
								Concent. Load @B/2	Concent. Load @B				
	0.625	0.500	BB	240	630	230	140	480	210	1970	470	0.3	<b>PLRE-1</b>
	0.625	0.500	BB	240	630	230	140	480	210	1970	470	0.3	<b>PLRE-1-1/8</b>
	0.750	0.625	BB	520	1350	600	370	880	390	3250	470	0.4	<b>PLRE-1-1/4</b>
	0.750	0.625	BB	520	1350	600	370	880	390	3250	470	0.4	<b>PLRE-1-3/8</b>
	0.875	0.750	BB	1050	2760	1100	680	1390	650	5780	470	0.6	<b>PLRE-1-1/2</b>
	1.000	0.875	BB	1050	2760	1100	680	1390	650	5780	470	0.9	<b>PLRE-1-3/4</b>
	1.125	1.000	BB	1460	3830	1620	1000	4010	1500	11610	910	1.6	<b>PLRE-2</b>
	1.125	1.000	BB	1460	3830	1620	1000	4010	1500	11610	910	2.0	<b>PLRE-2-1/4</b>
	1.250	1.125	BB	1980	5190	2270	1400	3730	1770	14580	1340	2.5	<b>PLRE-2-1/2</b>
	1.250	1.125	TRB	4570	10880	7630	4570	6720	3640	14580	N/A	2.5	<b>PLRE-2-1/2-7</b>
	1.250	1.125	BB	1980	5190	2270	1400	3730	1770	14580	1340	3.4	<b>PLRE-2-3/4</b>
	1.375	1.250	TRB	6000	14270	20000	12000	12430	6370	40500	N/A	4.5	<b>PLRE-3</b>
	1.375	1.250	TRB	6000	14270	20000	12000	12430	6370	40500	N/A	5.4	<b>PLRE-3-1/4</b>
	1.500	1.375	TRB	6000	14270	20000	12000	12430	6370	40500	N/A	6.5	<b>PLRE-3-1/2</b>
	1.500	1.375	TRB	6000	14270	20000	12000	12430	6370	40500	N/A	8.3	<b>PLRE-4</b>
	2.500	2.250	TRB	13990	33290	51900	32500	34120	17350	103670	N/A	21.0	<b>PLRE-5</b>
	3.250	3.000	TRB	15060	35840	56400	33100	68710	33910	161990	N/A	30.5	<b>PLRE-6</b>

LOAD CAPACITIES ARE BASED ON UNIFORM AND STEADY LOADING.  
1 kg = 9,81 N = 2,21 lbs



**Thank you! For viewing product information on the T.E.A.  
range of engineering components.**

**T.E.A. Transmissions Pty Ltd**

349 Tahiti Rd, Tiaro

Qld 4650 AUSTRALIA

Ph: 61-(0)7 4129 2533

Fax: 61-(0)7 4129 2437

[sales@tea.net.au](mailto:sales@tea.net.au)

[www.tea.net.au](http://www.tea.net.au)



**Your partner in quality engineering components since 1986**