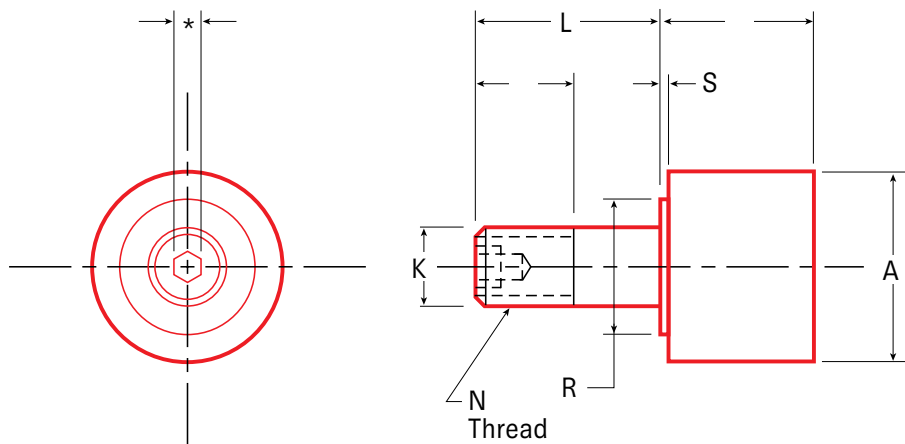


# LOAD RUNNERS

## Plain - Concentric Stud Style - Metric Sizes (mm)



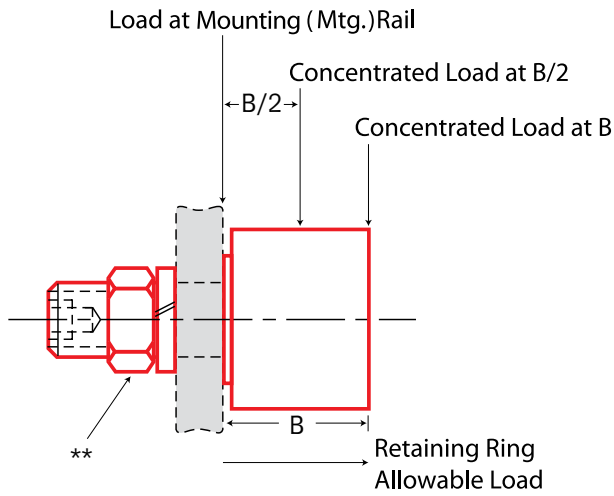
Part No.	Item No.	A	B	K	L	M	N	R	S	Rec. Mtg. Hole Size
		Roller Dia	Roller Width	Stud Dia	Stud Length	Thread Length	Thread	Shoulder Dia	Shoulder Length	
		+0.00 -0.02		+0.00 -0.02						
<b>HPC-26</b>	97374	26	20	10	23	13	M10×1	13.1	0.8	10.02
<b>HPC-30</b>	97375	30	20	12	25	14	M12×1.5	15.9	0.8	12.02
<b>HPC-32</b>	97376	32	22	12	25	14	M12×1.5	15.9	0.8	12.02
<b>HPC-35</b>	97377	35	22	16	32.5	18	M16×1.5	19.1	0.8	16.02
<b>HPC-40</b>	95064	40	30	14	40	26	M14×2	18	1.6	14.02
<b>HPC-40-1</b>	95063	40	27.6	18	36.5	19	M18×1.5	22	1.6	18.02
<b>HPC-47</b>	95065	47	27.6	20	40.5	21	M20×1.5	25.5	1.6	20.02
<b>HPC-50</b>	95068	50	40	16	50	35	M16×2	23	1.6	16.02
<b>HPC-52</b>	95066	52	33.6	20	40.5	21	M20×1.5	25.5	1.6	20.02
<b>HPC-62</b>	95070	62	44	24	58	35	M24×3	32	1.6	24.02
<b>HPC-62-1</b>	95069	62	44	24	49.5	25	M24×1.5	32	1.6	24.02
<b>HPC-72</b>	95072	72	44	24	49.5	25	M24×1.5	32	1.6	24.02
<b>HPC-76</b>	95074	76	52	30	69.5	40	M30×3.5	44.5	1.6	30.02
<b>HPC-80</b>	95075	80	52	30	69.5	40	M30×3.5	44.5	1.6	30.02
<b>HPC-85</b>	95076	85	52	30	69.5	40	M30×3.5	44.5	1.6	30.02
<b>HPC-90</b>	95077	90	52	30	69.5	40	M30×3.5	44.5	1.6	30.02
<b>HPC-100</b>	95079	100	52	30	80	50	M30×3.5	44.5	1.6	30.02
<b>HPC-100-1</b>	95078	100	52	30	69.5	40	M30×3.5	44.5	1.6	30.02
<b>HPC-125</b>	95080	125	76	48	105	60	M48×5	82.5	1.6	48.02
<b>HPC-150</b>	95081	150	76	64	140	82	M64×6	82.5	1.6	64.02
<b>HPC-200</b>	95082	200	76	64	140	82	M64×6	82.5	1.6	64.02

Other sizes available upon request.

\*Refer to stud hex socket size and INSTALLATION NOTES on pages 87-89.

\*\*Lock washer and jam nut available, for size see N dimension.

For special features and custom design considerations, see page 7.

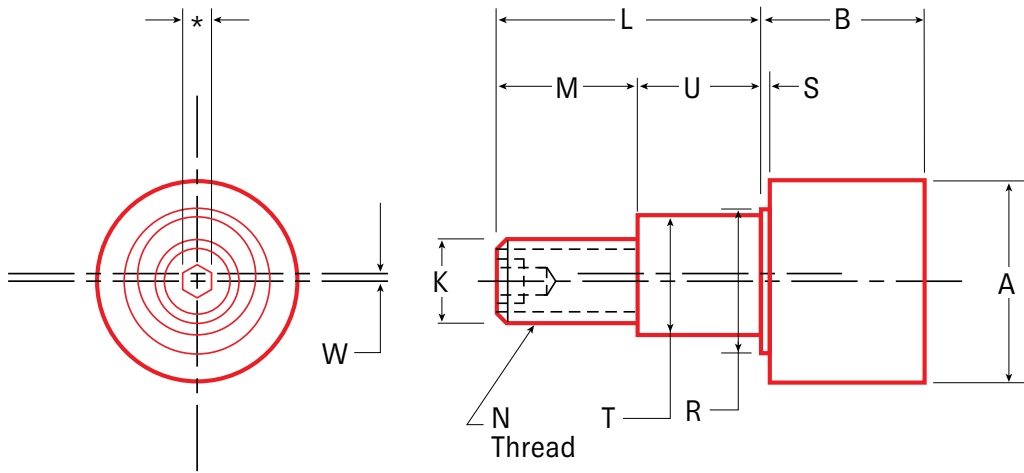


	Ball or Tapered Roller Bearings	Bearing Capacity Radial Load (N)			Bearing Capacity, Static Thrust (N)	Stud Capacity (N)			Retaining Ring Capacity (N)	Approx Weight (kg)	Part No.
		3000 hrs L10 life @ 100 RPM	500 hrs L10 life @ 33 1/3 RPM	Static Limit		Bending=0.75 Sy		Shear= 0.75 x 0.5 x Sy			
						Bend @ B/2	Bend @ B				
BB	1070	2790	1000	620	2120	910	8780	1700	-	<b>HPC-26</b>	
BB	1070	2790	1000	620	2120	910	8780	1700	0.11	<b>HPC-30</b>	
BB	2300	6010	2690	1660	3820	1690	14450	2090	0.14	<b>HPC-32</b>	
BB	2300	6010	2690	1660	3790	1690	14450	2090	0.17	<b>HPC-35</b>	
BB	4680	12260	4900	3030	6170	2890	25690	2090	0.27	<b>HPC-40</b>	
BB	4680	12260	4900	3030	6330	3060	25690	2090	0.24	<b>HPC-40-1</b>	
BB	4680	12260	4900	3030	6330	3060	25690	2090	0.42	<b>HPC-47</b>	
BB	6490	17020	7210	4450	8810	4570	45760	4050	0.54	<b>HPC-50</b>	
BB	6490	17020	7210	4450	14430	7030	51600	4050	0.54	<b>HPC-52</b>	
BB	8810	23080	10090	6230	16090	7650	64850	5960	1.04	<b>HPC-62</b>	
BB	8810	23080	10090	6230	16070	7650	64850	5960	1.04	<b>HPC-62-1</b>	
TRB	20330	48390	33940	20330	26410	13840	102960	N/A	1.4	<b>HPC-72</b>	
TRB	26670	63480	88960	53380	45000	23170	160800	N/A	1.91	<b>HPC-76</b>	
TRB	26670	63480	88960	53380	45000	23170	160800	N/A	2.07	<b>HPC-80</b>	
TRB	26670	63480	88960	53380	45000	23170	160800	N/A	2.37	<b>HPC-85</b>	
TRB	26670	63480	88960	53380	45000	23170	160800	N/A	2.65	<b>HPC-90</b>	
TRB	26670	63480	88960	53380	45000	23170	160800	N/A	3.33	<b>HPC-100</b>	
TRB	26670	63480	88960	53380	45000	23170	160800	N/A	3.15	<b>HPC-100-1</b>	
TRB	62210	148070	230860	144570	128100	65120	411830	N/A	8.48	<b>HPC-125</b>	
TRB	66990	159430	250880	147240	301500	153930	731550	N/A	12.5	<b>HPC-150</b>	
TRB	66990	159430	250880	147240	301500	153930	731550	N/A	21.87	<b>HPC-200</b>	

LOAD CAPACITIES ARE BASED ON UNIFORM AND STEADY LOADING.  
1 kg = 9,81 N = 2,21 lbs

# LOAD RUNNERS

## Plain - Eccentric Stud Style - Metric Sizes (mm)



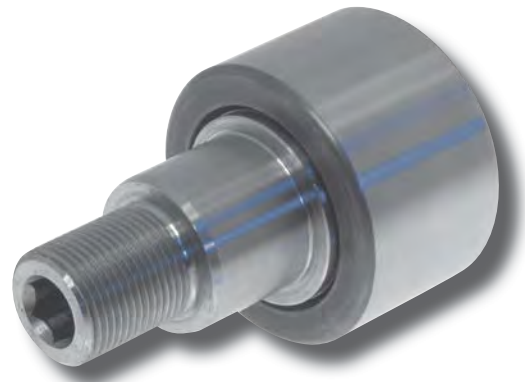
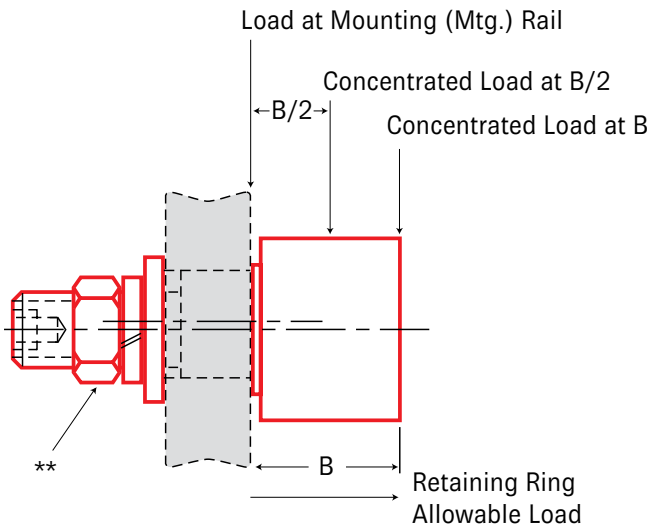
Part No.	Item No.	A	B	K	L	M	N	R	S	T	U	W	Rec. Mtg. Hole Size
		Roller Dia	Roller Width	Stud Dia	Stud Length	Thread Length	Thread	Shoulder Dia	Shoulder Length	Eccentric Dia	Eccentric Length	Eccentricity	
		+0.00 -0.02								+0.00 -0.05	+0.00 -0.25		
HPCE-26	97378	26	20	10	23	13	M10×1	17.1	0.8	13	10	0.5	13.02
HPCE-30	97379	30	20	12	25	14	M12×1.5	17.5	0.8	15	11	0.5	15.02
HPCE-32	97380	32	22	12	25	14	M12×1.5	17.5	0.8	15	11	0.5	15.02
HPCE-35	97381	35	22	16	32.5	18	M16×1.5	23.8	0.8	20	14.5	1	20.02
HPCE-40-1	95833	40	27.6	18	36.5	20.5	M18×1.5	28.5	1.6	22	16	1	22.02
HPCE-47	95835	47	27.6	20	40.5	22.5	M20×1.5	32	1.6	24	18	1	24.02
HPCE-50	95837	50	40	16	50	32	M16×2	32	1.6	24	18	1	24.02
HPCE-52	95836	52	33.6	20	40.5	22.5	M20×1.5	32	1.6	24	18	1	24.02
HPCE-62	95839	62	44	24	58	38	M24×3	43	1.6	28	20	1.5	28.02
HPCE-62-1	95838	62	44	24	49.5	27.5	M24×1.5	43	1.6	28	22	1	28.02
HPCE-72	95840	72	44	20	49.5	27.5	M20×1.5	38	1.6	28	22	1	28.02
HPCE-76-1	95841	76	52	24	70	41	M24×1.5	50	1.6	35	29	1.5	35.02
HPCE-80	95843	80	52	24	70	41	M24×1.5	50	1.6	35	29	1.5	35.02
HPCE-85	95844	85	52	24	70	41	M24×1.5	50	1.6	35	29	1.5	35.02
HPCE-90	95845	90	52	24	70	41	M24×1.5	50	1.6	35	29	1.5	35.02
HPCE-100	95846	100	52	24	70	41	M24×1.5	50	1.6	35	29	1.5	35.02
HPCE-125	95847	125	76	48	105	55	M48×5	82.5	1.6	64	50	1.5	64.02
HPCE-150	95848	150	76	64	140	75	M64×6	82.5	1.6	80	65	1.5	80.02

Other sizes available upon request.

\*Refer to stud hex socket size and INSTALLATION NOTES on pages 87-89.

\*\*Lock washer and jam nut available, for size see N dimension.

For special features and custom design considerations, see page 7.



	Ball or Tapered Roller Bearings	Bearing Capacity Radial Load (N)			Bearing Capacity, Static Thrust (N)	Stud Capacity (N)			Retaining Ring Capacity (N)	Approx Weight (kg)	Part No.
		3000 hrs L10 life @ 100 RPM	500 hrs L10 life @ 33 1/3 RPM	Static Limit		Bending=0.75 Sy		Shear= 0.75 x 0.5 x Sy			
						Bend @ B/2	Bend @ B				
BB	1070	2790	1000	620	2120	910	8780	1700	0.11	HPCE-26	
BB	1070	2790	1000	620	2020	890	8780	1700	0.14	HPCE-30	
BB	2300	6010	2690	1660	3820	1690	14450	2090	0.17	HPCE-32	
BB	2300	6010	2690	1660	3790	1690	14450	2090	0.2	HPCE-35	
BB	4680	12260	4900	3030	6330	3060	25690	2090	0.29	HPCE-40-1	
BB	4680	12260	4900	3030	6330	3060	25690	2090	0.45	HPCE-47	
BB	6490	17020	7210	4450	17700	6930	51600	4050	0.69	HPCE-50	
BB	6490	17020	7210	4450	14420	7030	51600	4050	0.72	HPCE-52	
BB	8810	23080	10090	6230	16070	7030	64850	5960	1.10	HPCE-62	
BB	8810	23080	10090	6230	16070	7650	64850	5960	1.08	HPCE-62-1	
TRB	20330	48390	33940	20330	15710	7650	71590	N/A	1.60	HPCE-72	
TRB	26670	63480	88960	53380	22980	8130	102740	N/A	1.99	HPCE-76-1	
TRB	26670	63480	88960	53380	22980	11830	102740	N/A	2.39	HPCE-80	
TRB	26670	63480	88960	53380	22980	11830	102740	N/A	2.54	HPCE-85	
TRB	26670	63480	88960	53380	22980	11830	102740	N/A	2.98	HPCE-90	
TRB	26670	63480	88960	53380	22980	11830	102740	N/A	3.29	HPCE-100	
TRB	62210	148070	230860	144570	128100	65120	411830	N/A	4.63	HPCE-125	
TRB	66990	159430	250880	147240	301500	159930	731550	N/A	5.56	HPCE-150	

LOAD CAPACITIES ARE BASED ON UNIFORM AND STEADY LOADING.  
1 kg = 9,81 N = 2,21 lbs



**Thank you! For viewing product information on the T.E.A.  
range of engineering components.**

**T.E.A. Transmissions Pty Ltd**

349 Tahiti Rd, Tiaro

Qld 4650 AUSTRALIA

Ph: 61-(0)7 4129 2533

Fax: 61-(0)7 4129 2437

[sales@tea.net.au](mailto:sales@tea.net.au)

[www.tea.net.au](http://www.tea.net.au)



**Your partner in quality engineering components since 1986**