

MNT LINE

Designed for rapid acceleration or frequently reversed loads.

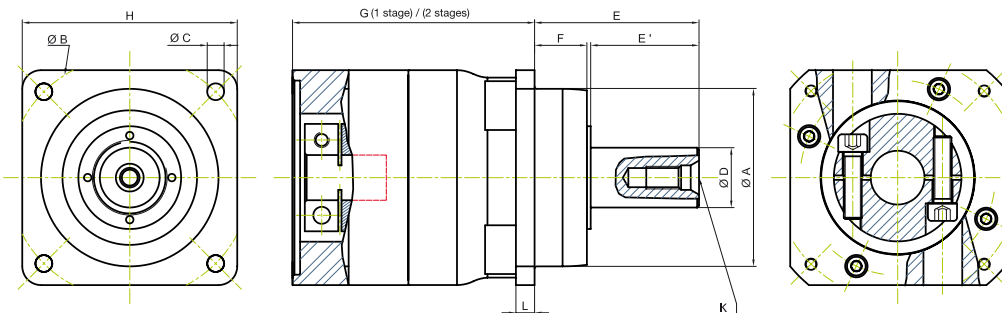
- Satellite gears are double-supported on hardened and ground shafts with full-complement needle bearings for increased torsional stiffness
- Output shaft is supported by 2 angular contact bearings for maximal radial and axial load acceptance
- Backlash from 8 to 1 arc-min max*
- 13 standard reduction ratios from 3 to 100 / custom ratios available
- ISO and DIN output interfaces
- Easy 1 minute clamping onto any motor shaft - Self-locating input flange
- Standard case temperature range is -20°C to +90°C - Consult us for higher or lower temperature use
- Protection rated IP 65 standard. IP-67 & 1500 psi water jets available
- Washdown stainless steel version available
- Optional lubricating grease for the food-processing industry
- Easy maintenance

Consult us if the solution you are looking for cannot be found in our regular catalog. Our design department can create a custom gearbox most adapted to your needs.

*depending upon ratio and size



Stainless steel version available



	ØA		ØB		C		ØD		E		E'		G*		K	H		L		F	
	mm	in	mm	in	mm	in	mm	in	mm	in	mm	in	mm	in		mm	in	mm	in	mm	in
MNT 065	60j6	2.362	75	2.953	5.5	0.217	16j6	0.630	48	1.89	28	1.10	84-107	3.31-4.21	M5	65	2.56	6	0.24	18	0.71
MNT 080	70j6	2.756	85	3.346	7	0.276	22j6	0.866	56	2.20	36	1.42	119-155	4.69-6.10	M8	83	3.27	7	0.28	18	0.71
MNT 115	95j6	3.740	130	5.118	9	0.354	32j6	1.260	88	3.46	58	2.28	130-171	5.12-6.73	M12	115	4.53	10	0.39	28	1.10
MNT 140	130j6	5.118	165	6.496	11	0.433	40j6	1.575	112	4.41	82	3.23	160-201	6.30-7.91	M16	140	5.51	12	0.47	27	1.06
MNT 180	160g6	6.299	215	8.465	13	0.512	55j6	2.165	112	4.41	82	3.23	230-275	9.05-10.83	M20	180	7.09	15	0.59	27	1.06
MNT 210	180g6	7.087	250	9.842	17	0.669	75k6	2.953	143	5.63	106	4.17	230-270	9.05-10.63	M20	210	8.27	17	0.567	35	1.38

* Depends upon No. of gear stages and motor dimensions.

Performances

		MNT 065	MNT 080	MNT 115	MNT 140	MNT 180	MNT 210
Input speed - Rated/Max	rpm	4000 / 6000				2000 / 4000	
Rated Output Torque	Nm	35	86	270	450	700	1000
Accel Output Torque ¹⁾	Nm	46	134	390	590	1000	1900
Gear ratio (see i = below)	i	Group A			Group B		
Efficiency ²⁾ (1 stage/2 stage)	%	96 / 91			96 / 91		
Maximum Backlash	arc-mins	15 or 5		10 or 5 or 1		6 or 3 or 1	
Rated Life ³⁾	h	15 000					
Operating Temperature Range	°C ; °F	-20 / +90 ; -4 / +194 - Consult us for lower or higher temperature use					
Sound level	dB (A)	≤ 66	≤ 66	≤ 68	≤ 68	≤ 68	-

¹⁾ S5 (intermittent duty) service ²⁾ Gearhead efficiency at full load ³⁾ At rated input speed and rated output torque

RATIO GROUP A: 1 stage, i = 3 - 4 - 5 - 7 - 10 2 stages, i = 16 - 20 - 25 - 35 - 50 - 70 - 100
 RATIO GROUP B: 1 stage, i = 3 - 4 - 5 - 7 - 10 2 stages, i = 16 - 20 - 25 - 35 - 50 - 70 - 100
 Please inquire for any ratio not shown.

Detailed data sheets and 3D STEP drawings can be downloaded from www.mijno.com or emailed/faxed upon request.

The torque values shown for each size are maximums – for some ratios, torque ratings may be 50-90% less – please refer to detailed data sheet.

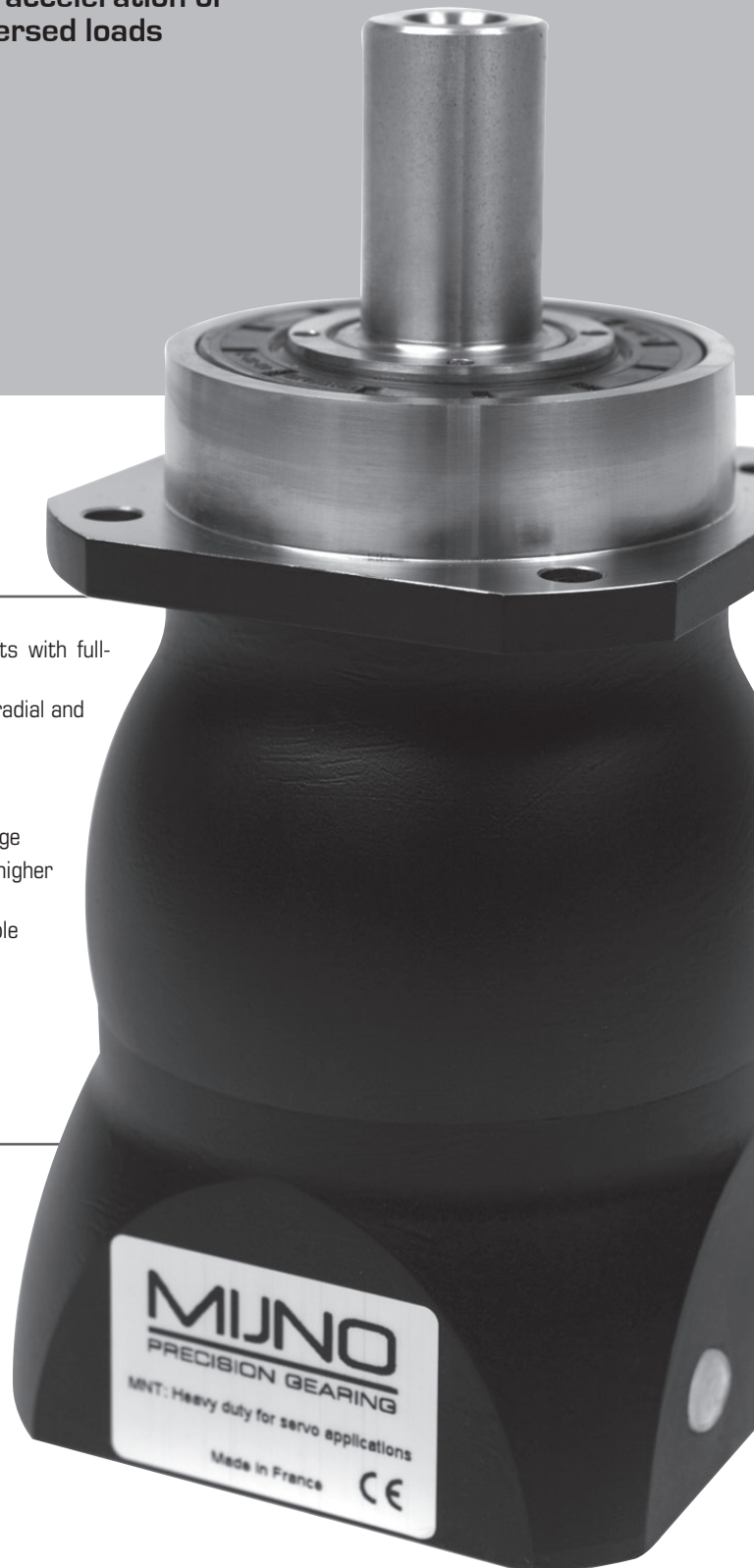
MNNT LINE

Designed for rapid acceleration or
frequently reversed loads

Up to 1,700 Nm rated

- Satellite gears are double-supported on hardened and ground shafts with full-complement needle bearings for increased torsional stiffness
- Output shaft is supported by 2 angular contact bearings for maximal radial and axial load acceptance
- Backlash from 8 to 1 arc-min max*
- 13 standard reduction ratios from 3 to 100 / custom ratios available
- Easy 1 minute clamping onto any motor shaft - Self-locating input flange
- Standard case temperature range is -20°C to $+90^{\circ}\text{C}$ - Consult us for higher or lower temperature use
- Protection rated IP 65 standard. IP-67 & 1,500 psi water jets available
- Washdown stainless steel version available
- Optional lubricating grease for the food-processing industry
- Easy maintenance

*depending upon ratio and size



MNT 065

Technical characteristics

Number of stages		1 - Stage					2 - Stages						
Ratio ⁽¹⁾		3	4	5	7	10	16	20	25	35	50	70	100
INPUT													
Rated / max speed	rpm	4 000 / 6 000 (consult us if you require higher input speed)											
Rated power	Kw	2.62	1.96	1.57	1.18	0.75	1.01	0.67	0.53	0.38	0.27	0.16	0.08
Rated torque	Nm	6.85	5.15	4.1	3.1	1.95	2.4	1.59	1.27	0.91	0.64	0.39	0.2
Accel. torque	Nm ⁽²⁾	13.35	10	7.55	5.4	3.25	3.16	2.2	1.76	1.32	0.92	0.63	0.35
OUTPUT													
Rated torque	Nm	19.7	19.7	19.7	20.8	18.7	35	29	29	29	29	25	18
Accel. torque	Nm ⁽²⁾	38	38	36	36	31	46	40	40	42	42	40	32
GENERAL CHARACTERISTICS													
Inertia	Kgm ² x10 ⁻⁵ ⁽³⁾	4.3	3.5	3.27	3.04	2.93	3.2	3	3.16	3	2.9	2.9	2.9
Max. backlash	arc-min.	15 or 5											
Efficiency	% ⁽⁴⁾	96					91						
Expected life time	Hours	20 000											
Weight	Kg	1.7					2.2						
Radial load	N ⁽⁵⁾	1 500											
Axial load	N	1 300											

¹⁾ Other ratios are possible, do not hesitate to contact us

²⁾ S5 duty service

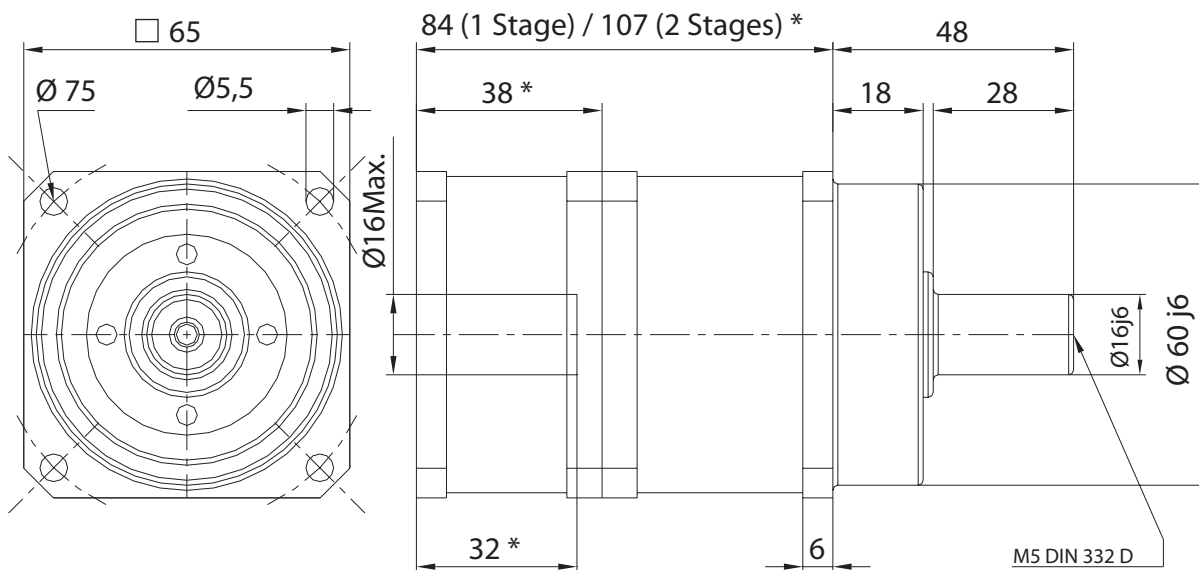
³⁾ On the motorside

⁴⁾ Gear efficiency at rated torque

⁵⁾ Load applied in the middle of the output shaft at 300rpm

NOTE : Emergency stop torque is 2.5 times rated output torque for 1000 times max during the life of the gearhead.

Dimensions (mm)



*Depends upon ratio and motor / Product range can be subject to changes without notice

Download 3D drawings from www.mijno.com

MNT 080

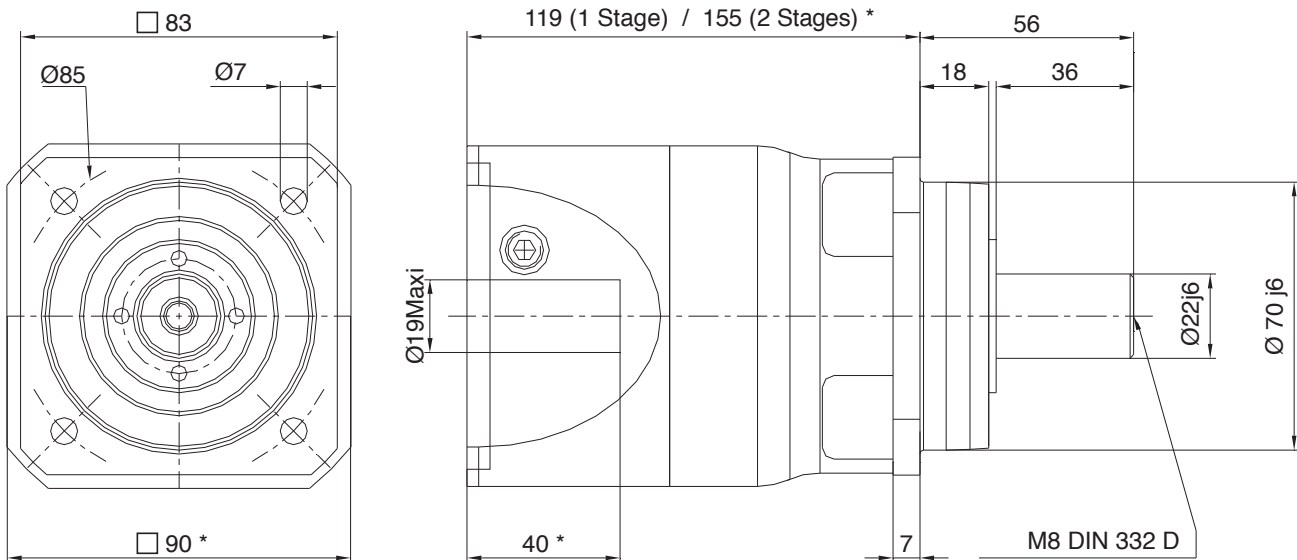
Technical characteristics

Number of stages		1 - Stage					2 - Stages								
Ratio ⁽¹⁾		3	4	5	7	10	16	20	25	35	40	50	70	100	
INPUT															
Rated / max speed	rpm	3 500 / 6 000 (consult us if you require higher input speed)													
Rated power	Kw	12.3	9.2	7.4	4.3	2.2	2.5	1.9	1.6	1.2	0.9	0.8	0.3	0.2	
Rated torque	Nm	29.5	22.1	17.7	10.4	5.2	5.9	4.7	3.7	2.7	2.3	1.8	0.8	0.5	
Accel. torque	Nm ⁽²⁾	38	29	21	15	8	9	7	6	4	3.5	2.8	1.6	0.9	
OUTPUT															
Rated torque	Nm	85	85	85	70	50	86	85	85	86	86	85	50	50	
Accel. torque	Nm ⁽²⁾	110	110	100	100	80	125	126	130	134	126	126	100	80	
GENERAL CHARACTERISTICS															
Inertia	Kgm ² x10 ⁻⁵ ⁽³⁾	13.6	10.86	9.81	9.13	8.73	10.24	10.18	9.48	8.91	8.64	8.63	8.62	8.61	
Max. backlash	arc-min.	10 or 5													
Efficiency	% ⁽⁴⁾	96					91								
Expected life time	Hours							20 000							
Weight	Kg	5					6								
Radial load	N ⁽⁵⁾							3 500							
Axial load	N							3 500							

- ¹⁾ Other ratios are possible, do not hesitate to contact us
²⁾ S5 duty service
³⁾ On the motorside
⁴⁾ Gear efficiency at rated torque
⁵⁾ Load applied in the middle of the output shaft at 300rpm

NOTE : Emergency stop torque is 2.5 times rated output torque for 1000 times max during the life of the gearhead.

Dimensions (mm)



Output view

*Depends upon ratio and motor / Product range can be subject to changes without notice
 Download 3D drawings from www.mijno.com

MNT 115

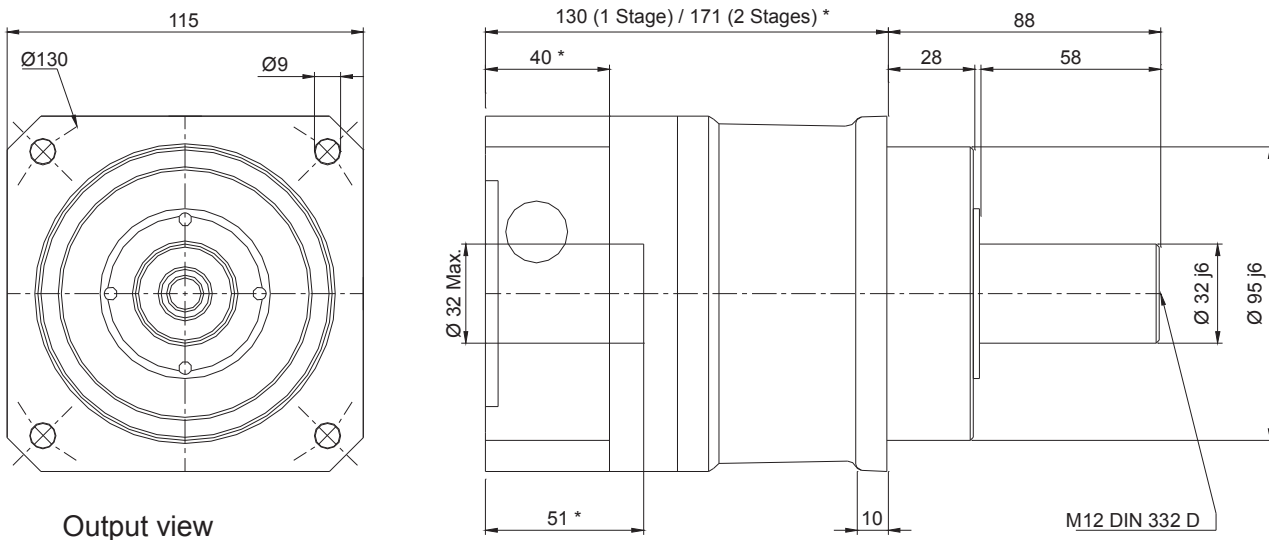
Technical characteristics

Number of stages		1 - Stage					2 - Stages								
Ratio ⁽¹⁾		3	4	5	7	10	16	20	25	35	40	50	70	100	
INPUT															
Rated / max speed	rpm	3 000 / 6 000 <i>(consult us if you require higher input speed)</i>													
Rated power	Kw	37.7	29.3	20.9	12.5	6.3	8	6.3	5	3.8	2.9	2.5	1.7	0.8	
Rated torque	Nm	90	70	50	30	15	19	15	12	9	7	6	4	2	
Accel. torque	Nm ⁽²⁾	104	81	56	37	21	23	21	17	12	9	8	5	3	
OUTPUT															
Rated torque	Nm	259	270	240	200	144	270	270	270	270	270	270	255	180	
Accel. torque	Nm ⁽²⁾	300	310	270	250	200	340	382	385	390	310	310	320	270	
GENERAL CHARACTERISTICS															
Inertia	Kgm ² x10 ⁻⁵ ⁽³⁾	55.1	44.4	40.4	36.8	35.1	42.3	42	38.9	36	35	34.7	34.5	34.5	
Max. backlash	arc-min.							10 or 5							
Efficiency	% ⁽⁴⁾	96					91								
Expected life time	Hours							20 000							
Weight	Kg	8					10								
Radial load	N ⁽⁵⁾							5 500							
Axial load	N							5 500							

- ¹⁾ Other ratios are possible, do not hesitate to contact us
²⁾ S5 duty service
³⁾ On the motorside
⁴⁾ Gear efficiency at rated torque
⁵⁾ Load applied in the middle of the output shaft at 300rpm

NOTE : Emergency stop torque is 2.5 times rated output torque for 1000 times max during the life of the gearhead.

Dimensions (mm)



*Depends upon ratio and motor / Product range can be subject to changes without notice
 Download 3D drawings from www.mijno.com

MNT 140

Technical characteristics

Number of stages		1 - Stage					2 - Stages								
Ratio ⁽¹⁾		3	4	5	7	10	16	20	25	35	40	50	70	100	
INPUT															
Rated / max speed	rpm	2 000 / 4 000 (consult us if you require higher input speed)													
Rated power	Kw	52.4	41.9	39.4	23	11.3	12.1	10.5	8.4	5.9	5	4.2	2.5	1.3	
Rated torque	Nm	125	100	94	55	27	29	25	20	14	12	10	6	3	
Accel. torque	Nm ⁽²⁾	173	130	104	74	41	34	31	25	17	15	12	8	4	
OUTPUT															
Rated torque	Nm	360	384	450	369	259	322	450	450	450	450	450	380	273	
Accel. torque	Nm ⁽²⁾	500	500	500	500	400	500	560	560	540	546	550	500	360	
GENERAL CHARACTERISTICS															
Inertia	Kgm ² x10 ⁻⁵ ⁽³⁾	173	128	112	100	94	112	104	102	95	91	91	91	91	
Max. backlash	arc-min.	10 or 5													
Efficiency	% ⁽⁴⁾	96					91								
Expected life time	Hours							20 000							
Weight	Kg	9					17								
Radial load	N ⁽⁵⁾							9 100							
Axial load	N							9 100							

¹⁾ Other ratios are possible, do not hesitate to contact us

²⁾ S5 duty service

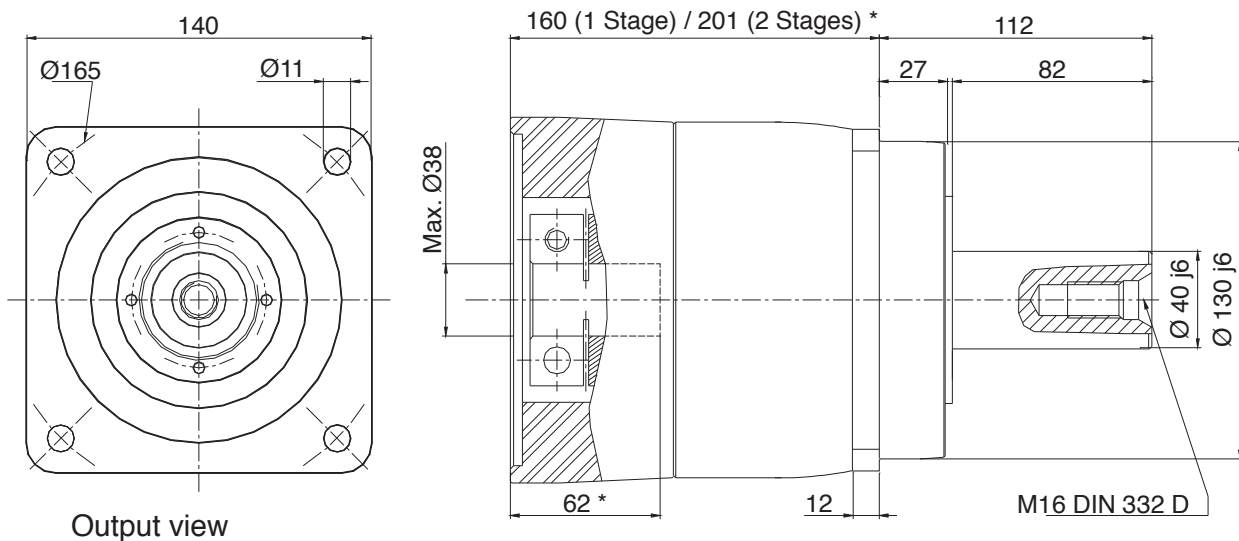
³⁾ On the motorside

⁴⁾ Gear efficiency at rated torque

⁵⁾ Load applied in the middle of the output shaft at 300rpm

NOTE : Emergency stop torque is 2.5 times rated output torque for 1000 times max during the life of the gearhead.

Dimensions (mm)



*Depends upon ratio and motor / Product range can be subject to changes without notice

Download 3D drawings from www.mijno.com

Consult us if the solution you are looking for cannot be found in our regular catalog. Our design department can create a custom gearbox most adapted to your needs.

MNT 180

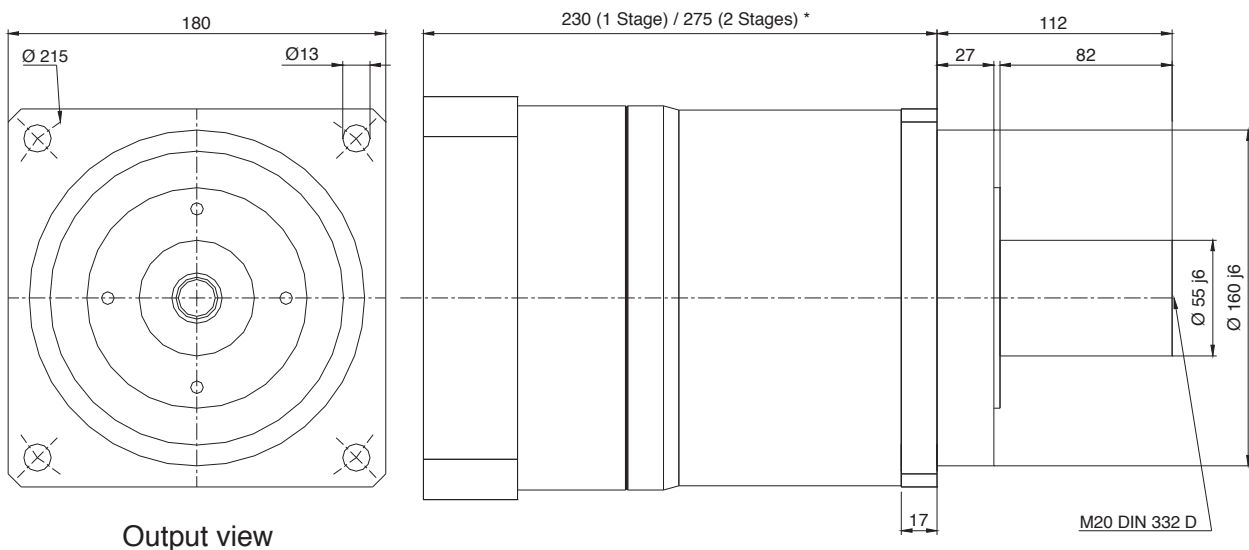
Technical characteristics

Number of stages		1 - Stage					2 - Stages								
Ratio ⁽¹⁾		3	4	5	7	10	16	20	25	35	40	50	70	100	
INPUT															
Rated / max speed	rpm	2 000 / 4 000 (consult us if you require higher input speed)													
Rated power	Kw	79.4	59.9	56.6	34.3	23.9	15.9	15.9	24.4	17.9	6.3	6.3	3.4	2.5	
Rated torque	Nm	190	143	135	82	57	38	38	30	22	15	15	8	6	
Accel. torque	Nm ⁽²⁾	350	260	208	157	83	69	55	44	31	27	22	16	9	
OUTPUT															
Rated torque	Nm	550	700	700	550	550	700	700	700	700	550	550	550	550	
Accel. torque	Nm ⁽²⁾	1 000	1 000	1 000	1 000	800	1 000	1 000	1 000	1 000	1 000	1 000	1 000	1 000	
GENERAL CHARACTERISTICS															
Inertia	Kgm ² x10 ⁻⁵ ⁽³⁾	422	262	207	162	138	226	223	182	148	132	132	132	131	
Max. backlash	arc-min.	6 or 3													
Efficiency	% ⁽⁴⁾	96					91								
Expected life time	Hours								20 000						
Weight	Kg	28					35								
Radial load	N ⁽⁵⁾								14 500						
Axial load	N								14 000						

- ¹⁾ Other ratios are possible, do not hesitate to contact us
²⁾ S5 duty service
³⁾ On the motorside
⁴⁾ Gear efficiency at rated torque
⁵⁾ Load applied in the middle of the output shaft at 300rpm

NOTE : Emergency stop torque is 2.5 times rated output torque for 1000 times max during the life of the gearhead.

Dimensions (mm)



*Depends upon ratio and motor / Product range can be subject to changes without notice
 Download 3D drawings from www.mijno.com

MNT 210

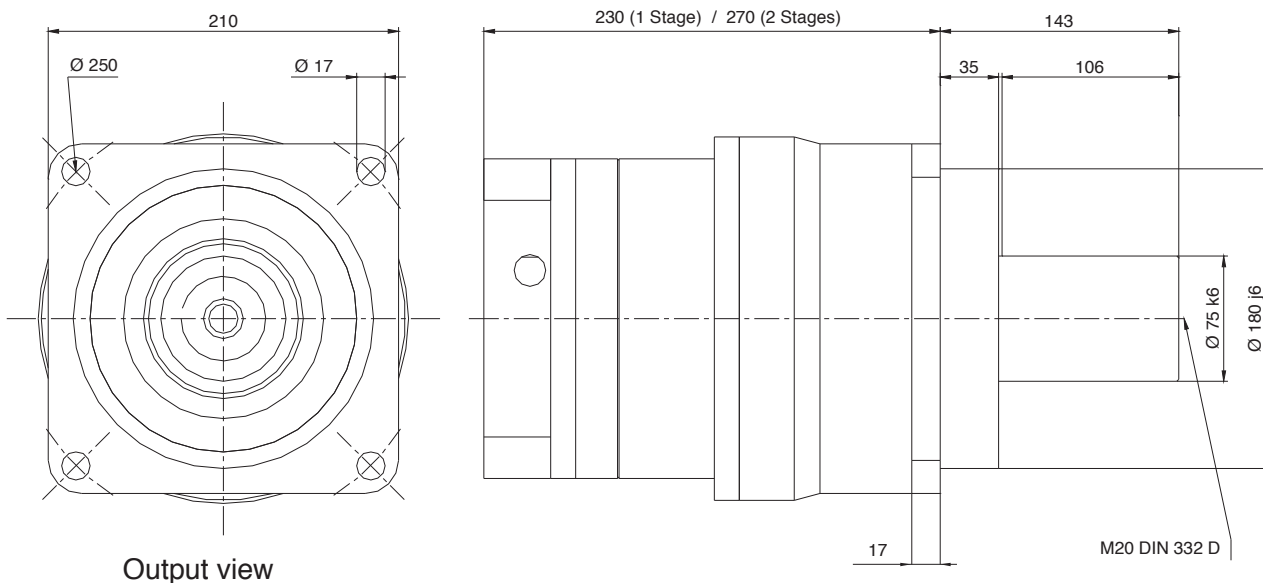
Technical characteristics

Number of stages		1 - Stage					2 - Stages								
Ratio ⁽¹⁾		3	4	5	7	10	16	20	25	35	40	50	70	100	
INPUT															
Rated / max speed	rpm	2 000 / 4 000 (consult us if you require higher input speed)													
Rated power	Kw	145	109	87	62	43	29	23	18	13	11	9	7	4	
Rated torque	Nm	300	230	209	110	87	69	55	44	32	27	22	13	9	
Accel. torque	Nm ⁽²⁾	450	400	300	210	120	130	104	84	47	41	33	23	16	
OUTPUT															
Rated torque	Nm	1 000	1 000	1 000	840	840	1 000	1 000	1 000	1 000	1 000	1 000	740	840	
Accel. torque	Nm ⁽²⁾	1 900	1 900	1 900	1 900	1 500	1 900	1 900	1 900	1 500	1 500	1 500	1 500	1 500	
GENERAL CHARACTERISTICS															
Inertia	Kgm ² x10 ⁻⁵ ⁽³⁾	-	450	343	258	215	235	228	185	150	134	133	132	132	
Max. backlash	arc-min.	6 or 3													
Efficiency	% ⁽⁴⁾	96					91								
Expected life time	Hours							20 000							
Weight	Kg	50					60								
Radial load	N ⁽⁵⁾							18 000							
Axial load	N							18 000							

- ¹⁾ Other ratios are possible, do not hesitate to contact us
²⁾ S5 duty service
³⁾ On the motorside
⁴⁾ Gear efficiency at rated torque
⁵⁾ Load applied in the middle of the output shaft at 300rpm

NOTE : Emergency stop torque is 2.5 times rated output torque for 1000 times max during the life of the gearhead.

Dimensions (mm)



*Depends upon ratio and motor / Product range can be subject to changes without notice
 Download 3D drawings from www.mijno.com

MNT 240

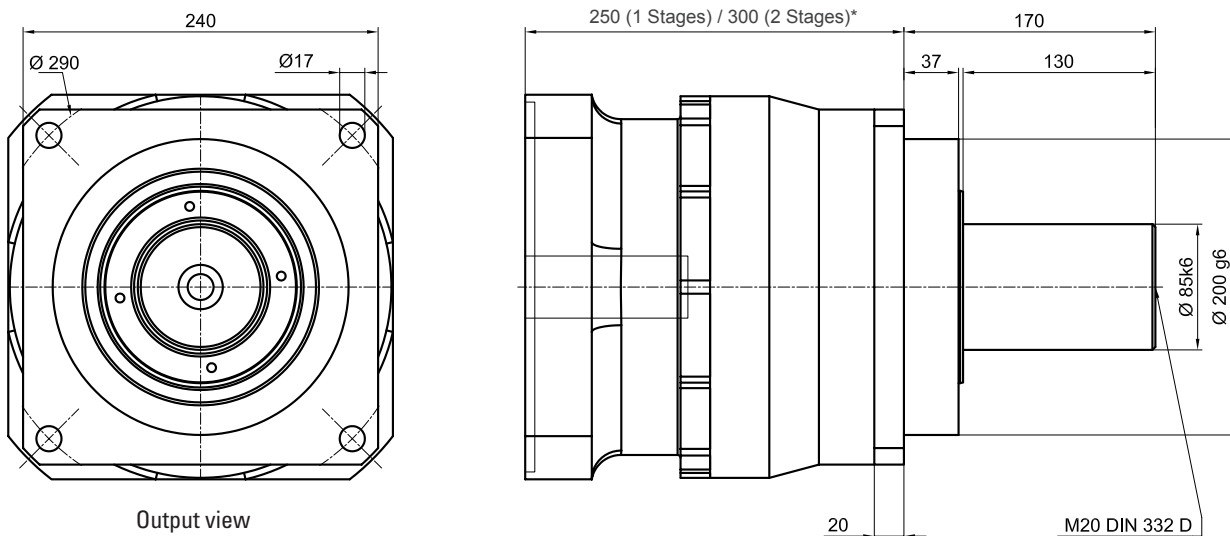
Technical characteristics

Number of stages		1 - Stage					2 - Stages						
Ratio ⁽¹⁾		4	5	7	10	16	20	25	35	40	50	70	100
INPUT													
Rated / max speed	rpm	2 000 / 4 000 (consult us if you require higher input speed)											
Rated power	Kw	109	87	62	43	29	23	18	13	11	9	7	4
Rated torque	Nm	339	271	164	99	117	93	75	50	44	35	25	18
Accel. torque	Nm ⁽²⁾	443	354	238	135	137	110	88	63	55	44	31	22
OUTPUT													
Rated torque	Nm	1300	1300	1100	950	1700	1700	1700	1600	1600	1600	1600	1600
Accel. torque	Nm ⁽²⁾	1700	1700	1600	1300	2000	2000	2000	2000	2000	2000	2000	2000
GENERAL CHARACTERISTICS													
Inertia	Kgm ² x10 ⁻⁵ ⁽³⁾	-											
Max. backlash	arc-min.	6 or 3											
Efficiency	% ⁽⁴⁾	96					91						
Expected life time	Hours	20 000											
Weight	Kg	70					80						
Radial load	N ⁽⁵⁾	22 000											
Axial load	N	22 000											

- ¹⁾ Other ratios are possible, do not hesitate to contact us
²⁾ S5 duty service
³⁾ On the motorside
⁴⁾ Gear efficiency at rated torque
⁵⁾ Load applied in the middle of the output shaft at 300rpm

NOTE : Emergency stop torque is 2.5 times rated output torque for 1000 times max during the life of the gearhead.

Dimensions (mm)



*Depends upon ratio and motor / Product range can be subject to changes without notice
 Download 3D drawings from www.mijno.com



T.E.A. Transmissions Pty Ltd

Your partner in quality engineering components since 1987

Thank you for viewing product information for TEA's range of engineering components.

Now, please contact us for any further information, prices and delivery.

Our contact details are:

T.E.A. Transmissions Pty Ltd
Tahiti Road
Tiaro Qld. 4650
Australia

Ph: +61 (0) 7 4129 2533

Fax: +61 (0) 7 4129 2437

Web: www.tea.net.au

Email: sales@tea.net.au

You are assured of prompt and efficient service at all times.