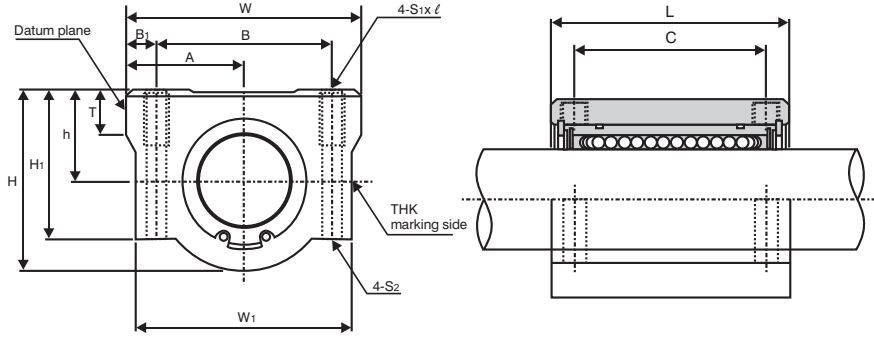


# Bearing Block Type SC

- Aluminium alloy housing
- Standard ball bushing
- Sealed



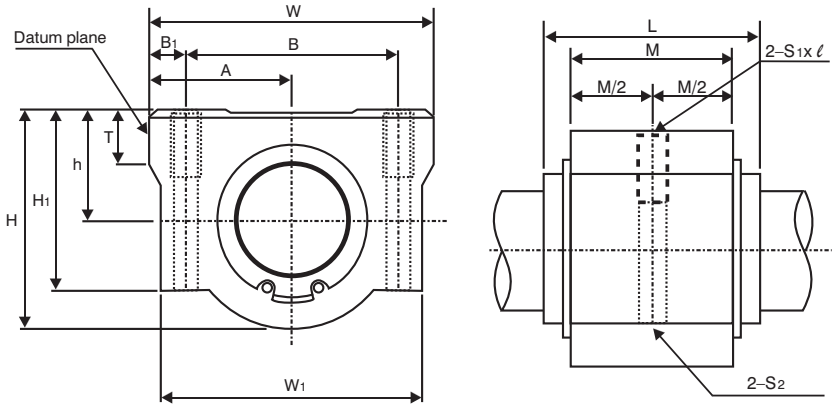
Dimensions in mm

Part No.	Shaft size	Height	Width	Length	Mounting hole position			TAP		±0.02	±0.02				Basic load rating		Unit Weight
	∅	H	W	L	B	B1	C	S1xℓ	S2	h	A	H1	W1	T	Dyn. N	Static N	g
SC 12UU	12	29	42	36	30.5	5.75	26	M5x12	M4	15	21	25	39	8	412	598	102
SC 16UU	16	38.5	50	44	36	7	34	M5x12	M4	19	25	35	46	9	775	1180	189
SC 20UU	20	42	54	50	40	7	40	M6x12	M5	21	27	36	52	11	863	1370	237
SC 25UU	25	51.5	76	67	54	11	50	M8x18	M6	26	38	41	68	12	980	1570	555
SC 30UU	30	59.5	78	72	58	10	58	M8x18	M6	30	39	49	72	15	1570	2750	685
SC 40UU	40	78	102	90	80	11	60	M10x25	M8	40	51	62	96	20	2160	4020	1600
SC 50UU	50	102	122	110	100	11	80	M10x25	M8	52	61	80	116	25	3820	7940	3350

1N=0.102kgf

# Bearing Block Type SC-V

- Compact aluminium housing
- 2 mounting holes
- Standard ball bushing
- Sealed



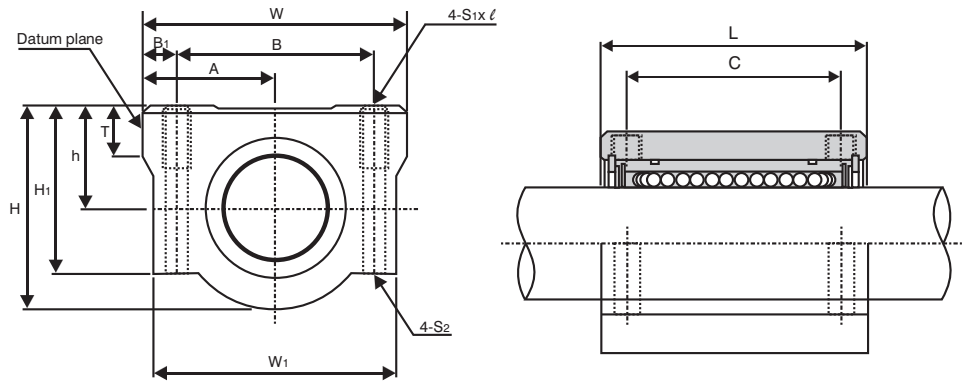
Dimensions in mm

Part No.	Shaft size	Height	Width	Length	Mounting hole position			TAP		±0.02	±0.02				Basic load rating		Unit Weight
	∅	H	W	L	B	B1	M	S1xℓ	S2	h	A	H1	W1	T	Dyn. N	Static N	g
SC 12VUU	12	30	44	30	33	5.5	20.5	M5x10	M4	15	22	26	41	8	411	598	74
SC 16VUU	16	38.5	50	37	36	7	23.5	M5x12	M4	19	25	35	46	9	774	1176	132
SC 20VUU	20	42	54	42	40	7	27.4	M6x12	M5	21	27	36	52	11	862	1372	170
SC 25VUU	25	51.5	76	59	54	11	37.4	M8x10	M6	26	38	41	68	12	990	1568	405
SC 30VUU	30	59.5	78	64	58	10	40.9	M8x18	M6	30	39	49	72	15	1568	2794	495
SC 40VUU	40	78	102	80	80	11	56.4	M10x25	M8	40	51	62	96	20	2156	4019	1220
SC 50VUU	50	102	122	100	100	11	68.9	M10x25	M8	52	61	80	116	25	3823	7941	2300

1N=0.102kgf

## Bearing Block Type SC-TK Also available with: Stainless steel or ceramic bearings or Tandem version (2 bearings per housing)

- Aluminium alloy housing
- Super ball bushing
- Self-aligning capability
- Sealed



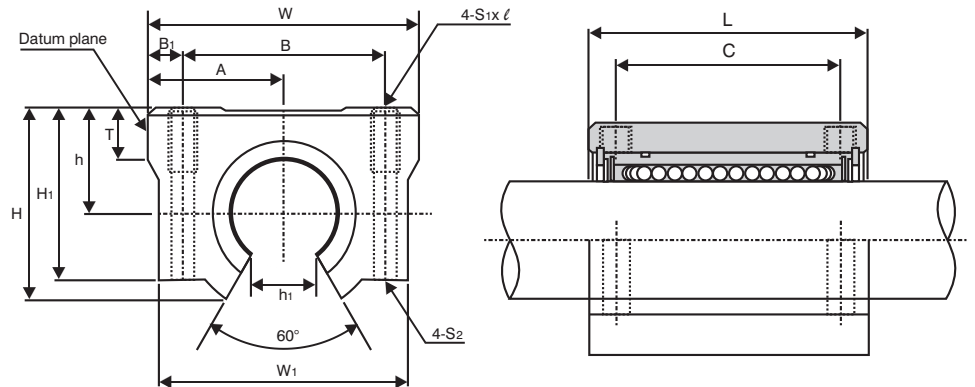
Dimensions in mm

Part No.	Shaft size	Height	Width	Length	Mounting hole position			TAP		±0.02	±0.02				Basic load rating		Unit Weight
	∅	H	W	L	B	B <sub>1</sub>	C	S <sub>1</sub> x l	S <sub>2</sub>	h	A	H <sub>1</sub>	W <sub>1</sub>	T	Dyn. N	Static N	g
SC 12TKUU	12	30	44	39	33	5.5	26	M 5x10	M4	15	22	26	41	8	1020	1290	100
SC 16TKUU	16	38.5	50	44	36	7	34	M 5x12	M4	19	25	35	46	9	1250	1550	160
SC 20TKUU	20	42	54	53	40	7	40	M 6x12	M5	21	27	36	52	11	2090	2630	230
SC 25TKUU	25	51.5	76	67	54	11	50	M 8x18	M6	26	38	41	68	12	3780	4720	460
SC 30TKUU	30	59.5	78	76	58	10	58	M 8x18	M6	30	39	49	72	15	5470	6810	630
SC 40TKUU	40	78	102	90	80	11	60	M10x25	M8	40	51	62	96	20	6590	8230	1270
SC 50TKUU	50	102	122	110	100	11	80	M10x25	M8	52	61	80	116	25	8600	7100	2450

1N=0.102kgf

## Bearing Block Set Type SC-TKOPN Also available with: Stainless steel or ceramic bearings or Tandem version (2 bearings per housing)

- Aluminium alloy housing
- Super ball bushing
- Self-aligning capability
- Sealed



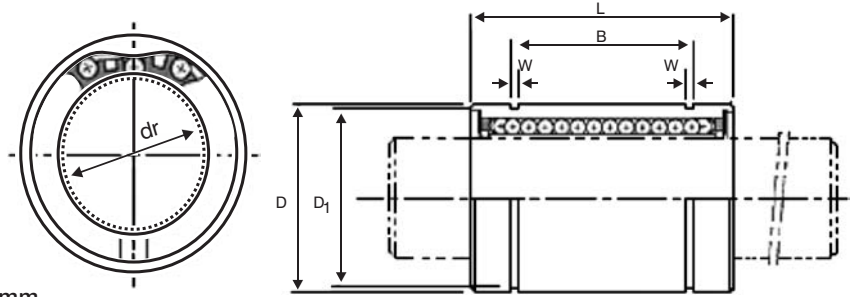
Dimensions in mm

Part No.	Shaft size	Height	Width	Length	Mounting hole position			TAP		±0.02	±0.05				Basic load rating		Unit Weight	
	∅	H	W	L	B	B <sub>1</sub>	C	h <sub>1</sub>	S <sub>1</sub> x l	S <sub>2</sub>	h	A	H <sub>1</sub>	W <sub>1</sub>	T	Dyn. N	Static N	g
SC 12TKUUOPN	12	28	44	39	33	5.5	26	7	M5x10	M4	15	22	26	41	8	816	1032	90
SC 16TKUUOPN	16	35	50	44	36	7	34	9	M5x12	M4	19	25	35	46	9	1000	1240	140
SC 20TKUUOPN	20	39	54	53	40	7	40	9	M6x12	M5	21	27	36	52	11	1672	2104	200
SC 25TKUUOPN	25	47	76	67	54	11	50	12	M6x18	M6	26	38	41	68	12	3024	3776	420
SC 30TKUUOPN	30	55	78	76	58	10	58	14	M8x18	M6	30	39	49	72	15	4376	4126	580
SC 40TKUUOPN	40	74	102	90	80	11	60	20	M10x25	M8	40	51	62	96	20	5232	6554	1210
SC 50TKUUOPN	50	98	122	110	100	11	80	23	M10x25	M8	52	61	80	116	25	8940	7380	2380

1N=0.102kgf

## Standard Ball Bushings Also available: Stainless steel version

- All steel outer
- Resin retainer
- Sealed both ends
- Standard ball bushing dimensions
- Available as open or closed series



Dimensions in mm

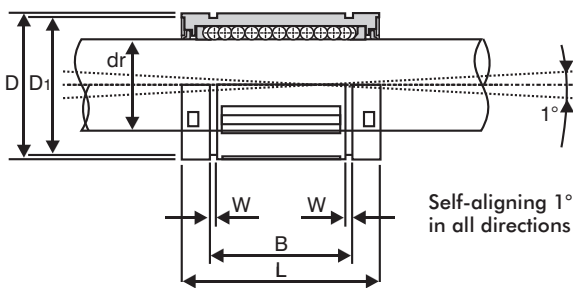
Part No.	dr	No. of ball circuits	Tolerance							Basic load rating		Unit Weight g
	ø		D	L	tol	B	tol	W	D <sub>1</sub>	Dyn. N	Static N	
KB 5GUU	5	4	12	22	$0_{-0.12}$	14.5	$0_{-0.2}$	1.1	11.5	206	265	11
KB 8GUU	8	4	16	25	$0_{-0.2}$	16.5	$0_{-0.2}$	1.1	15.2	265	402	22
KB 12GUU	12	4	22	32	$0_{-0.2}$	22.9	$0_{-0.2}$	1.3	21	510	784	45
KB 16GUU	16	4	26	36	$0_{-0.2}$	24.9	$0_{-0.2}$	1.3	24.9	578	892	60
KB 20GUU	20	5	32	45	$0_{-0.2}$	31.5	$0_{-0.2}$	1.6	30.3	862	1370	102
KB 25GUU	25	6	40	58	$0_{-0.2}$	44.1	$0_{-0.3}$	1.85	37.5	980	1570	235
KB 30GUU	30	6	47	68	$0_{-0.3}$	52.1	$0_{-0.3}$	1.85	44.5	1570	2740	360
KB 40GUU	40	6	62	80	$0_{-0.3}$	60.6	$0_{-0.3}$	2.15	59	2160	4020	770
KB 60GUU	60	6	90	125	$0_{-0.4}$	101.7	$0_{-0.4}$	3.15	86.5	4700	9800	2220
*KB 80UU	80	6	120	165	$0_{-0.4}$	133.7	$0_{-0.4}$	4.15	116	7350	16000	5140

\*KB80UU has a steel retainer

1N=0.102kgf

## Super Ball Bushings Also available: Stainless steel version

- Higher load capacities
- Longer travel life
- Self-aligning capabilities
- Integral floating seals
- Standard ball bushing dimensions
- Available as open or closed series



Recommended Tolerance for Shaft O.D. and Housing Bore.

Part No.	Shaft diameter		Housing bore	
	dr mm	Tol.(h6) $\mu$ m	D mm	Tol.(h7) $\mu$ m
TK12	12	0	22	+21
TK16	16	-11	26	0
TK20	20	0	32	+25
TK25	25	-13	40	0
TK30	30		47	
TK40	40	0/-16	62	+30/0



Dimensions in mm

Part No.	dr	No. of ball circuits	Tolerance							Basic load rating		Unit Weight g
	ø		D	L	tol	B	tol	W	D <sub>1</sub>	Dyn. N	Static N	
TK 12UU	12	5	22	32	$\pm 0.2$	22.9	$0_{-0.2}$	1.3	21	1020	1290	21
TK 16UU	16	5	26	36	$\pm 0.2$	24.9	$0_{-0.2}$	1.3	24.9	1250	1550	43
TK 20UU	20	6	32	45	$\pm 0.2$	31.5	$0_{-0.2}$	1.6	30.3	2090	2630	58
TK 25UU	25	6	40	58	$\pm 0.2$	44.1	$0_{-0.2}$	1.85	37.5	3780	4720	123
TK 30UU	30	6	47	68	$\pm 0.2$	52.1	$0_{-0.2}$	1.85	44.5	5470	6810	216
TK 40UU	40	6	62	80	$\pm 0.2$	60.6	$0_{-0.2}$	2.15	59	6590	8230	333



## **T.E.A. Transmissions Pty Ltd**

*Your partner in quality engineering components since 1987*

Thank you for viewing product information for TEA's range of engineering components.

Now, please contact us for any further information, prices and delivery.

Our contact details are:

**T.E.A. Transmissions Pty Ltd**  
**Tahiti Road**  
**Tiaro Qld. 4650**  
**Australia**

**Ph: +61 (0) 7 4129 2533**

**Fax: +61 (0) 7 4129 2437**

**Web: [www.tea.net.au](http://www.tea.net.au)**

**Email: [sales@tea.net.au](mailto:sales@tea.net.au)**

You are assured of prompt and efficient service at all times.