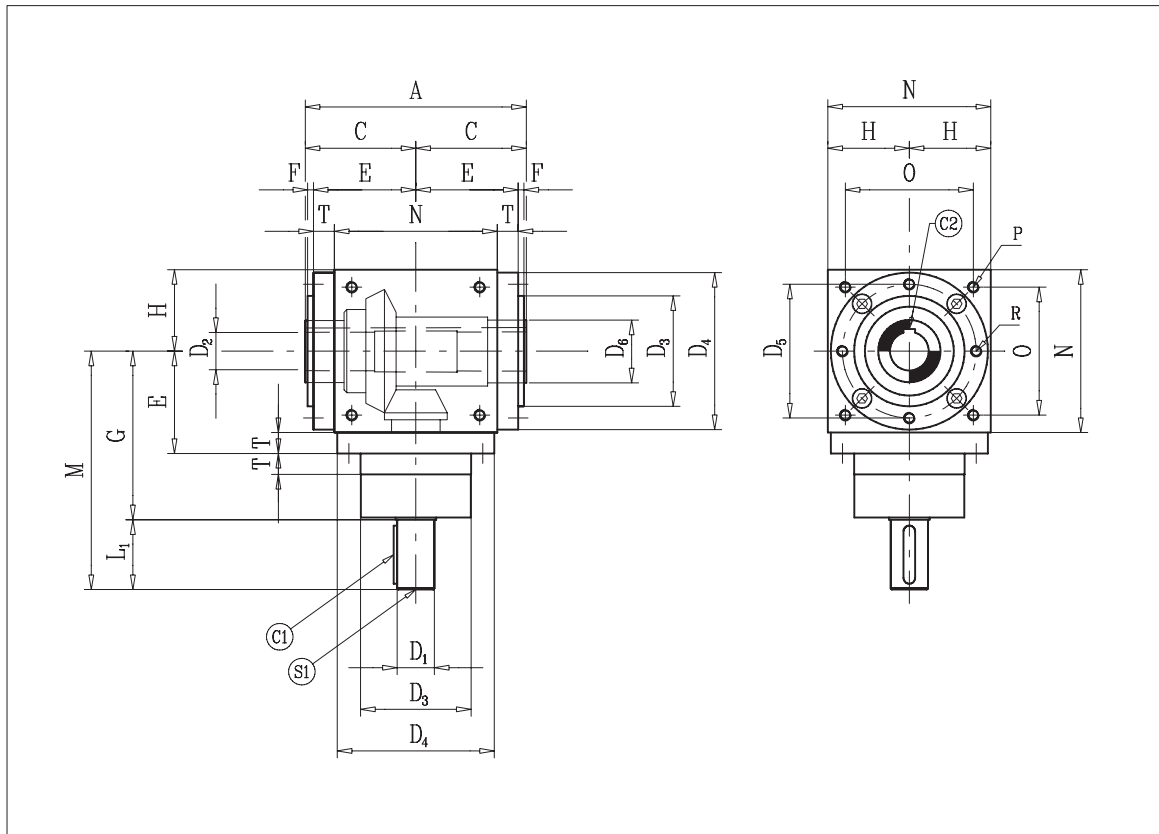


# Spiral Bevel Gearbox Type AH

## DIMENSIONS



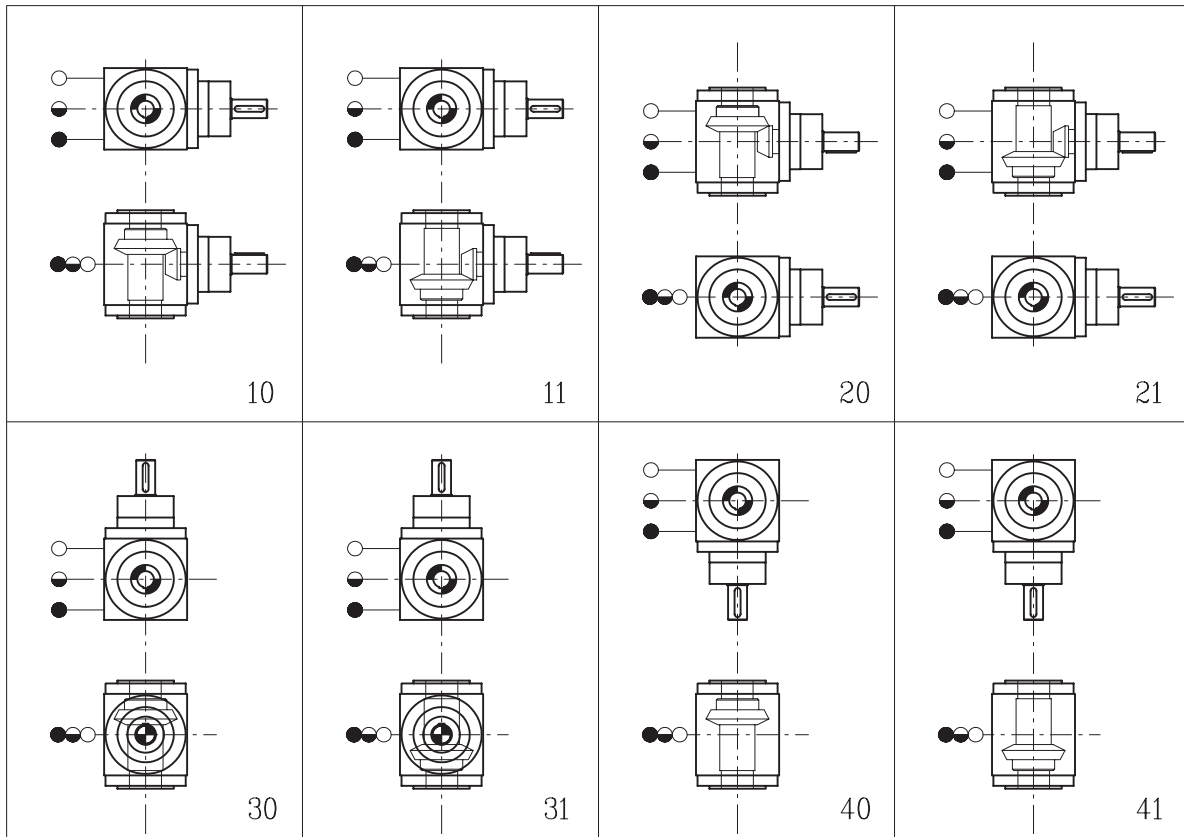
SIZE	Ratio : 1	A	C	D <sub>1</sub>	D <sub>2</sub>	D <sub>3</sub>	D <sub>4</sub>	D <sub>5</sub>	D <sub>6</sub>	E	F	G	H	L <sub>1</sub>
BG12	1, 2, 3	92	46	12	12	12	/	54	20	42	2	74	32.5	26
BG19	1 2 3	130	65	19	19	60	86	72	30	59	4	100	45	40
	4 5			14										30
BG24	1 2 3	160	80	24	24	70	105	88	35	73	5	115	55	50
	4 5			19										40
BG32	1 2 3	190	95	32	32	95	135	115	50	88	5	145	70	60
	4 5			24										50
BG38	1 2 3	220	110	38	38	120	165	145	60	103	5	170	85	70
	4 5			28										60
BG42	1 2 3	250	125	42	42	135	190	165	60	118	5	195	100	80
	4 5			32										60
BG55	1 2 3	300	150	55	55	170	230	205	75	143	5	245	120	110
	4 5			42										80
BG75	1 2 3	450	225	75	75	/	300	/	120	195	/	350	165	150
	4 5			55										110

All dimensions in mm.  
All dimensions are subject to change without notice.

# Mounting Positions

Upper diagrams : Side view  
Lower diagrams : Top view

- Breather plug
- Level plug
- Drain plug



SIZE	Ratio : 1	M	N	O	P	R	S1	C1	C2	T
BG12	1, 2, 3	100	65	45	M6	M6	M4x8	20x4x4	4x4	/
BG19	1 2 3	140	90	70	M6	M6	M6x12	35x6x6	6x6	14
	4 5	130					M5x10	25x5x5		
BG24	1 2 3	165	110	88	M8	M8	M8x16	40x8x7	8x7	18
	4 5	155					M6x12	35x6x6		
BG32	1 2 3	205	140	110	M10	M10	M10x20	50x10x8	10x8	18
	4 5	195					M8x16	40x8x7		
BG38	1 2 3	240	170	136	M12	M12	M12x24	60x10x8	10x8	18
	4 5	230					M10x20	50x8x7		
BG42	1 2 3	275	200	155	M12	M12	M12x24	70x12x8	12x8	18
	4 5	255					M10x20	50x10x8		
BG55	1 2 3	355	240	190	M14	M14	M14x28	100x16x10	16x10	23
	4 5	325					M12x24	70x12x8		
BG75	1 2 3	500	330	248	M16	M16	M16x32	140x22x14	22x14	30
	4 5	460					M14x28	100x16x10		

All dimensions in mm.  
All dimensions are subject to change without notice.









