

Direct drive indicators

DD52R ELESA original design

new narrower design

Narrow Digital position indicators direct drive

- **Use** mounted on passing-through control spindles in any position, for giving actual reading of the positioning of a machine component. They are designed also for motor driven applications.
- Lowered height of the case. Compact roller counter. Ergonomically designed digits for rapid reading. The readability of the counter is increased by the magnifying window.
- Polyamide-based (PA) **technopolymer case**, ultrasonically welded to its support to prevent accidental tampering and dust penetration. Standard colour RAL 2004 orange and RAL 7035 grey. Glossy finish. Resistant to solvents, oils, grease and other chemical agents.
- Five figure **digital counter** (4 black units and 1 red decimal or 3 black units and 2 red decimal places). An additional graduated scale next to the last digit offers further accuracy of reading. The display indicates the distance covered by the mechanism controlled by the spindle from the start position. The counter wheels are compact with ergonomically designed numbers for rapid reading. The magnifying window (lens effect) improves the readability. The snap connection with light interference between window and case prevent dust penetration.
- Black oxide **steel insert** with standard $\varnothing 20$ mm H7 tolerance reamed hole, fitting to shaft by means of a grub screw with hexagon socket and cup end (according to UNI 5929-85).
- Rear polyurethan **gasket** (standard accessory).
- Location rear **torque pin** for positioning.
- **Weight 90** grams.

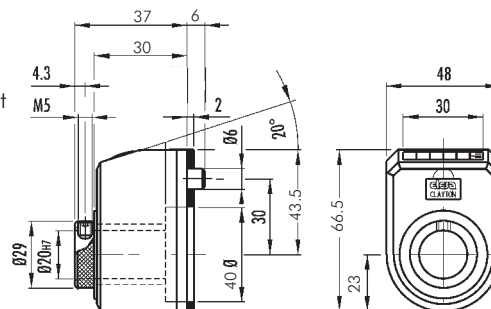


Accessories to be ordered separately:

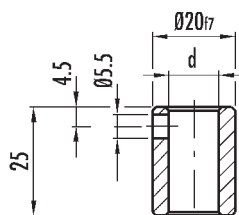
Steel reduction sleeves RB52 (AISI 303 stainless steel available on request and for sufficiently large quantities) technopolymer reduction sleeves RBT.52, front powdertight NBR synthetic rubber gasket DG.52 (code CE.87910).

Installation instructions:

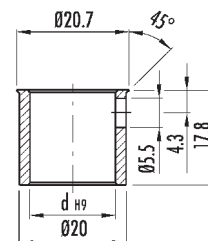
- Drill a $\varnothing 6$ mm by 10 mm deep hole in the body of the machine with centre distance of 30 mm from the spindle, to fit the rear referencing pin.
- Zero set the spindle.
- Re-fit the zeroed roller counter onto the spindle and make sure the rear pin locates into the hole.
- Tighten the socket head grub screw.



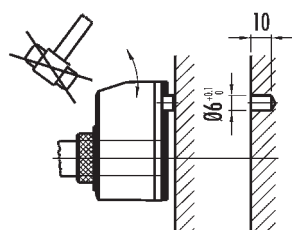
Reduction Sleeve		
Code	Description	d H7
CE.87940	RB52-12	12
CE.87950	RB52-14	14
CE.87955	RB52-15	15
CE.87960	RB52-16	16



Reduction Sleeve		
Code	Description	d H9
CE.87940	RB52-12	12
CE.87950	RB52-14	14
CE.87955	RB52-15	15
CE.87960	RB52-16	16

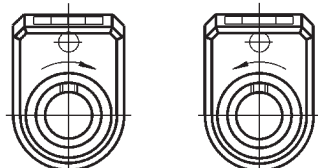


INSTALLATION EXAMPLE

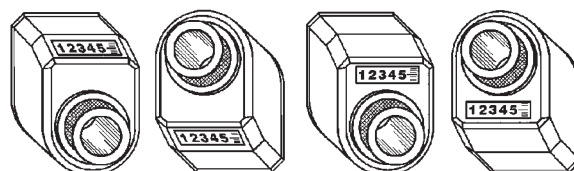


D S

Clockwise rotation to increase Anti-clockwise rotation to increase



AN AR FN FR



All dimensions are in mm.
All dimensions are subject to change without notice.

Pitch	Table of the possible combinations									
	Type	Reading Position	Reading after one revolution ◆			Direction of rotation	Colour	Speed (rpm)▲	Inches reading ◆	Speed (rpm)▲
0.5				000.50	00050			500	00.019(6875)	1270
0.5			0000.5	000.05	00005			1500	00.019(6875)	1270
1.0		AN		001.00	00100			250	00.039(375)	630
1.0		inclined	0001.0	000.10	00010			1500	00.039(375)	630
1.25		upper	0001.2(5)	000.12(5)	00012(5)		AR	1500		
1.5			0001.5	000.15	00015		orange	1500		
1.58			0001.5(8)	000.15(8)	00015(8)			1500		
1.607			0001.6(07)	000.16(07)	00016(07)			1500		
1.75			0001.7(5)	000.17(5)	00017(5)	D		1420		
2.0			0002.0	000.20	00020	clockwise		1250	00.078(75)	310
2.5		AR	0002.5	000.25	00025			1000		
2.54		inclined	0002.5(4)	000.25(4)	00025(4)			980		
3.0		lower	0003.0	000.30	00030			830	00.118(125)	210
3.15			0003.1(5)	000.31(5)	00031(5)			790		
3.175			0003.1(75)	000.31(75)	00031(75)		GR	780		
3.5	DD52		0003.5	000.35	00035		grey	710		
4.0			0004.0	000.40	00040			625	000.15(75)	1500
5.0			0005.0	000.50	00050			500	000.19(6875)	1270
5.08			0005.0(8)	000.50(8)	00050(8)			490		
5.294		FN	0005.2(94)	000.52(94)	00052(94)			470		
6.0		front	0006.0	000.60	00060			415		
6.25		upper	0006.2(5)	000.62(5)	00062(5)	S		400		
6.35			0006.3(5)	000.63(5)	00063(5)	anti-clockwise		390		
7.5			0007.5	000.75	00075		NR	330		
8.0			0008.0	000.80	00080		anthracite	315		
9.0			0009.0	000.90	00090			270		
10.0		FR	0010.0	001.00	00100			250	000.39(375)	630
10.5		front	0010.5	001.05	00105			235		
12.0		lower	0012.0	001.20	00120			200		
13.0			0013.0	001.30	00130			190		
15.0			0015.0	001.50	00150			160		
20.0			0020.0	002.00	00200			125		

◆ The maximum rotational speed of the indicator corresponds to a maximum rotational speed of 25000 digits per minute of the right hand side wheel. Rotational speed tests have been performed in our laboratory under standard operating conditions.

▲ The internal mechanism counts also the figures between brackets, even if they do not appear on the display.

CODES AND DESCRIPTIONS OF STANDARD COMBINATIONS											
DD52R - AN			DD52R - AR			DD52R - FN			DD52R - FR		
Code		Description	Code		Description	Code		Description	Code		Description
Grey	Orange		Grey	Orange		Grey	Orange		Grey	Orange	
CE.82101	CE.82103	DD52R-AN-0005.0-D	CE.82601	CE.82603	DD52R-AR-000.50-D	CE.83101	CE.83103	DD52R-FN-000.50-D	CE.83601	CE.83603	DD52R-FR-000.50-D
CE.82102	CE.82104	DD52R-AN-0005.0-S	CE.82602	CE.82604	DD52R-AR-000.50-S	CE.83102	CE.83104	DD52R-FN-000.50-S	CE.83602	CE.83604	DD52R-FR-000.50-S
CE.82131	CE.82133	DD52R-AN-001.00-D	CE.82631	CE.82633	DD52R-AR-001.00-D	CE.83131	CE.83133	DD52R-FN-001.00-D	CE.83631	CE.83633	DD52R-FR-001.00-D
CE.82132	CE.82134	DD52R-AN-001.00-S	CE.82632	CE.82634	DD52R-AR-001.00-S	CE.83132	CE.83134	DD52R-FN-001.00-S	CE.83632	CE.83634	DD52R-FR-001.00-S
CE.82151	CE.82153	DD52R-AN-0001.0-D	CE.82651	CE.82653	DD52R-AR-0001.0-D	CE.83151	CE.83153	DD52R-FN-0001.0-D	CE.83651	CE.83653	DD52R-FR-0001.0-D
CE.82152	CE.82154	DD52R-AN-0001.0-S	CE.82652	CE.82654	DD52R-AR-0001.0-S	CE.83152	CE.83154	DD52R-FN-0001.0-S	CE.83652	CE.83654	DD52R-FR-0001.0-S
CE.82181	CE.82183	DD52R-AN-0002.0-D	CE.82681	CE.82683	DD52R-AR-0002.0-D	CE.83181	CE.83183	DD52R-FN-0002.0-D	CE.83681	CE.83683	DD52R-FR-0002.0-D
CE.82182	CE.82184	DD52R-AN-0002.0-S	CE.82682	CE.82684	DD52R-AR-0002.0-S	CE.83182	CE.83184	DD52R-FN-0002.0-S	CE.83682	CE.83684	DD52R-FR-0002.0-S
CE.82197	CE.82199	DD52R-AN-0002.5-D	CE.82697	CE.82699	DD52R-AR-0002.5-D	CE.83197	CE.83199	DD52R-FN-0002.5-D	CE.83697	CE.83699	DD52R-FR-0002.5-D
CE.82198	CE.82200	DD52R-AN-0002.5-S	CE.82698	CE.82700	DD52R-AR-0002.5-S	CE.83198	CE.83200	DD52R-FN-0002.5-S	CE.83698	CE.83700	DD52R-FR-0002.5-S
CE.82211	CE.82213	DD52R-AN-0003.0-D	CE.82711	CE.82713	DD52R-AR-0003.0-D	CE.83211	CE.83213	DD52R-FN-0003.0-D	CE.83711	CE.83713	DD52R-FR-0003.0-D
CE.82212	CE.82214	DD52R-AN-0003.0-S	CE.82712	CE.82714	DD52R-AR-0003.0-S	CE.83212	CE.83214	DD52R-FN-0003.0-S	CE.83712	CE.83714	DD52R-FR-0003.0-S
CE.82231	CE.82233	DD52R-AN-0004.0-D	CE.82731	CE.82733	DD52R-AR-0004.0-D	CE.83231	CE.83233	DD52R-FN-0004.0-D	CE.83731	CE.83733	DD52R-FR-0004.0-D
CE.82232	CE.82234	DD52R-AN-0004.0-S	CE.82732	CE.82734	DD52R-AR-0004.0-S	CE.83232	CE.83234	DD52R-FN-0004.0-S	CE.83732	CE.83734	DD52R-FR-0004.0-S
CE.82251	CE.82253	DD52R-AN-0005.0-D	CE.82751	CE.82753	DD52R-AR-0005.0-D	CE.83251	CE.83253	DD52R-FN-0005.0-D	CE.83751	CE.83753	DD52R-FR-0005.0-D
CE.82252	CE.82254	DD52R-AN-0005.0-S	CE.82752	CE.82754	DD52R-AR-0005.0-S	CE.83252	CE.83254	DD52R-FN-0005.0-S	CE.83752	CE.83754	DD52R-FR-0005.0-S
CE.82263	CE.82265	DD52R-AN-0006.0-D	CE.82763	CE.82765	DD52R-AR-0006.0-D	CE.83263	CE.83265	DD52R-FN-0006.0-D	CE.83763	CE.83765	DD52R-FR-0006.0-D
CE.82264	CE.82266	DD52R-AN-0006.0-S	CE.82764	CE.82766	DD52R-AR-0006.0-S	CE.83264	CE.83266	DD52R-FN-0006.0-S	CE.83764	CE.83766	DD52R-FR-0006.0-S
CE.82291	CE.82293	DD52R-AN-0010.0-D	CE.82791	CE.82793	DD52R-AR-0010.0-D	CE.83291	CE.83293	DD52R-FN-0010.0-D	CE.83791	CE.83793	DD52R-FR-0010.0-D
CE.82292	CE.82294	DD52R-AN-0010.0-S	CE.82792	CE.82794	DD52R-AR-0010.0-S	CE.83292	CE.83294	DD52R-FN-0010.0-S	CE.83792	CE.83794	DD52R-FR-0010.0-S

Complete the description of the standard item needed specifying one of the colours reported in the table: GR (Grey) or AR (Orange).

Special options on request

Special readings after one revolution (for use with spindles having their pitch in mm or inches), stainless steel insert, special reduction sleeves.



Your partner in quality engineering products since 1986

Thank you for viewing product information on TEA's range of engineering components.

Now please contact us at the nearest office to you for any further information, prices and availability:



AUSTRALIA & New Zealand
T.E.A. Transmissions Pty Ltd
Tahiti Road
Tiaro Qld 4650
Australia

Ph: 61-(0)7 4129 2533
Fax: 61-(0)7 4129 2437
Email: sales@tea.net.au
www.tea.net.au



USA, South America & Canada
T.E.A. Machine Components Inc.
2281-F Dabney Road
Richmond Virginia 23230
USA

Ph: 1-804-342-0004
Fax: 1-804-342-0006
Email: sales@teausa.net
www.teausa.net

You are assured of prompt and efficient service at all time.