

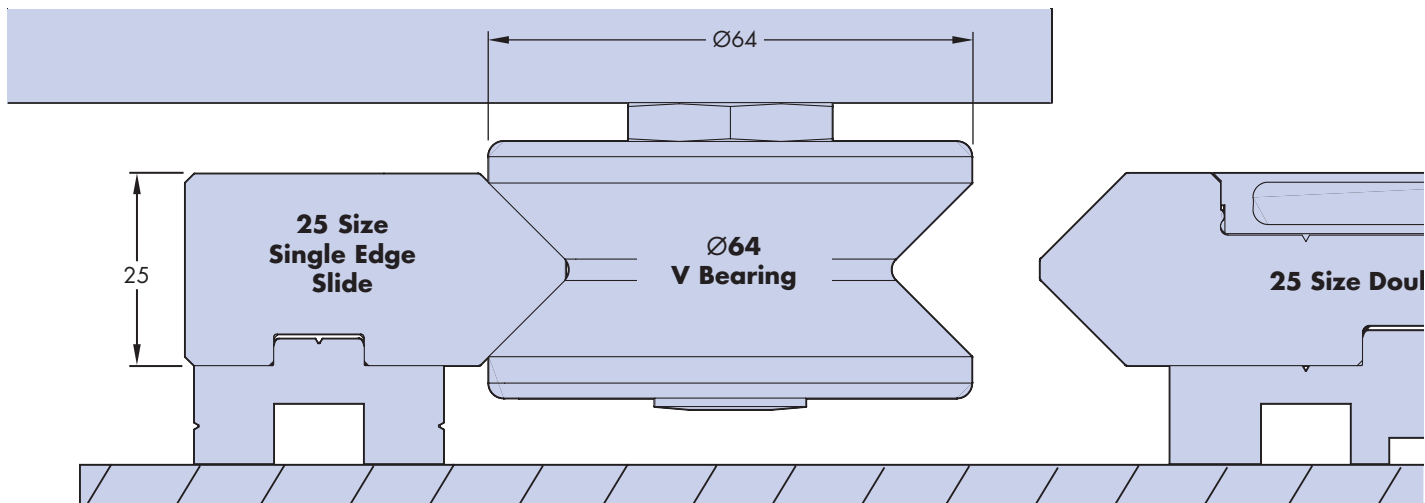
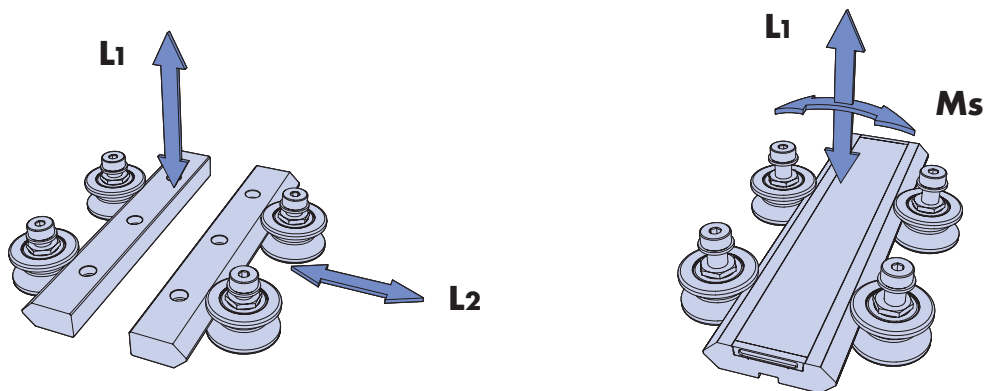
Full Size Illustrations For Initial Selection

Full size illustrations of the basic V slide systems and flat track systems together with load capacity are shown on this and the following 3 pages as a guide to facilitate initial selection. Once a choice has been made, customers should refer to individual component pages for dimensions and to 42-44 for comprehensive details on load and life. Combinations other than shown in this section are possible, please refer to the Mix & Match tables on 46-47. There is a wide range of other components complementary to the V slide systems and flat track systems. These are illustrated on the system composition 2-7 cross referenced to the relevant component pages.

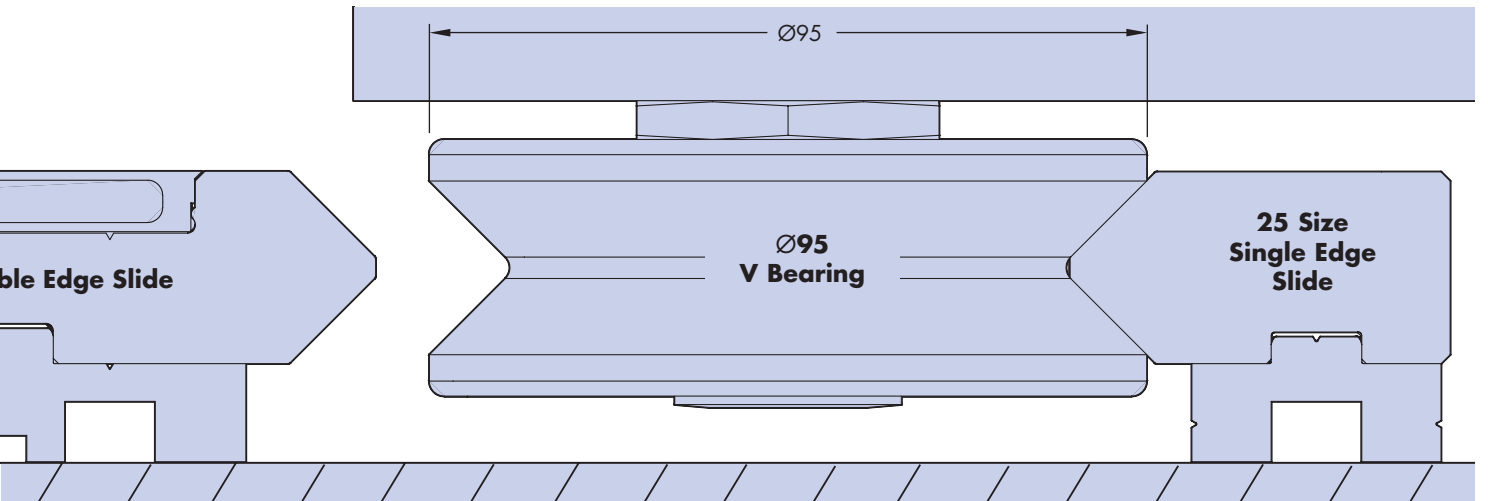
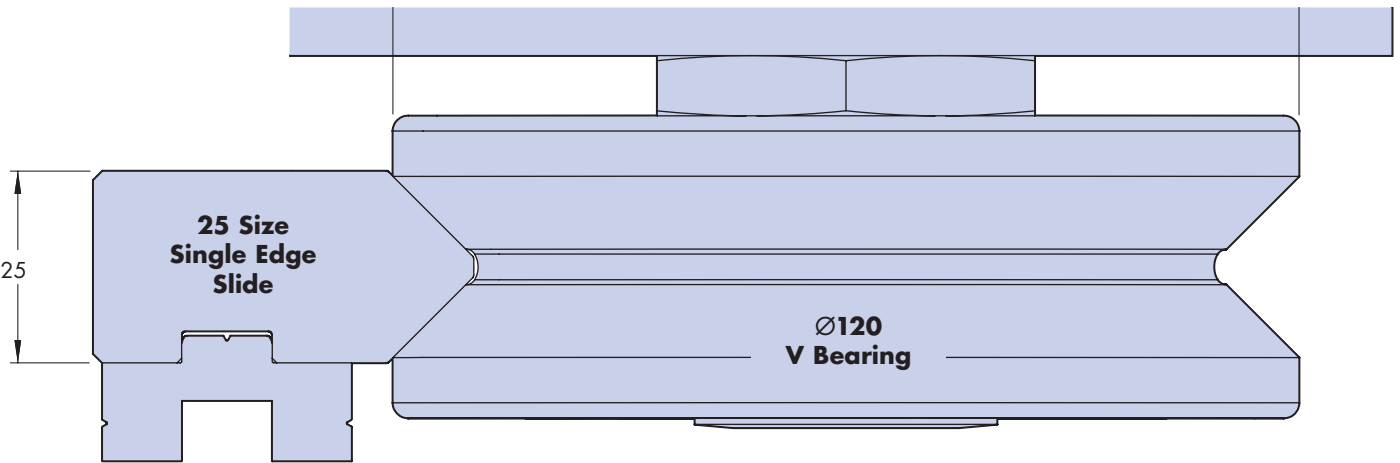
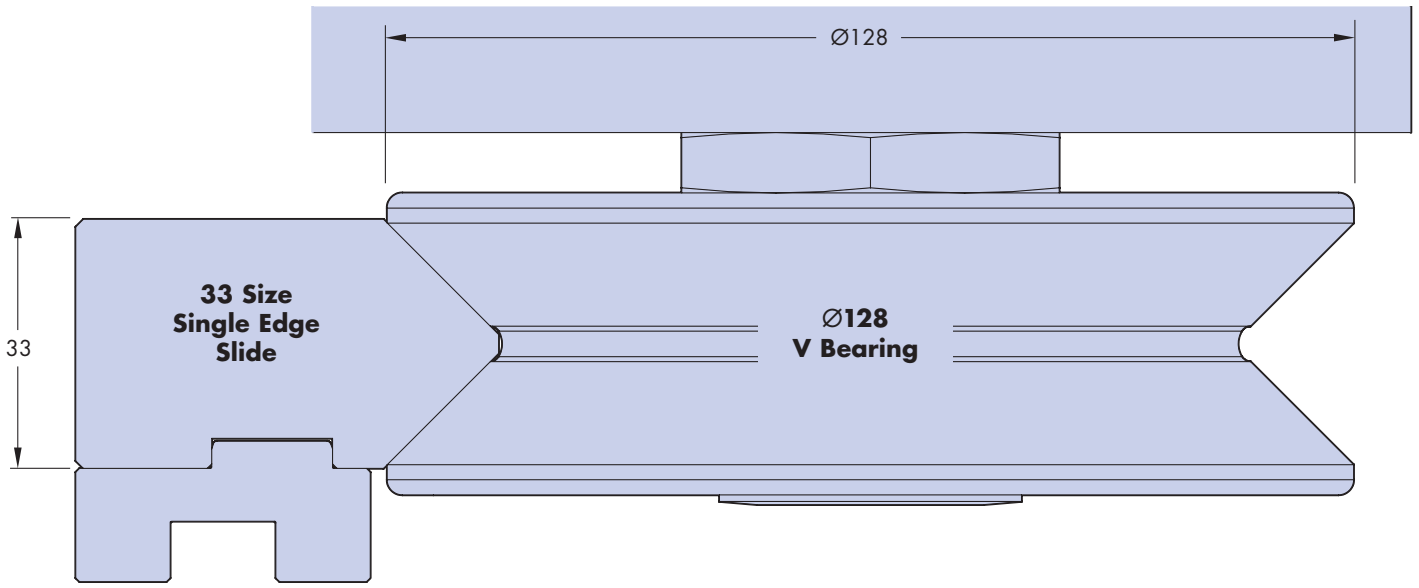
Please note that bearing cap wipers and roller cap wipers are not shown on the illustrations. These will increase the space required very slightly 32.

Slide		Bearing		System Load (Lubricated)		
Size & Type	Part No.	Ø	Part No.	L1	L2	Ms
25 Single Edge	C/P/SS HSS25	64	B/THJR64	10 000N	16 000N	Variable
25 Single Edge	C/P/SS HSS25	95	B/THJR95	28 000N	40 000N	Variable
25 Single Edge	C/P/SS HSS25	120	B/THJR120	40 000N	60 000N	Variable
25 Double Edge	C/P/SS HSD25	64	B/THJR64	10 000N	16 000N	450Nm
25 Double Edge	C/P/SS HSD25	95	B/THJR95	28 000N	40 000N	1280Nm
25 Double Edge	C/P/SS HSD25	120	B/THJR120	40 000N	60 000N	1820Nm
33 Single Edge	C/P/SS HSS33	128	B/THJR128	40 000N	60 000N	Variable
33 Single Edge	C/P/SS HSS33	150	B/THJR150	68 000N	100 000N	Variable

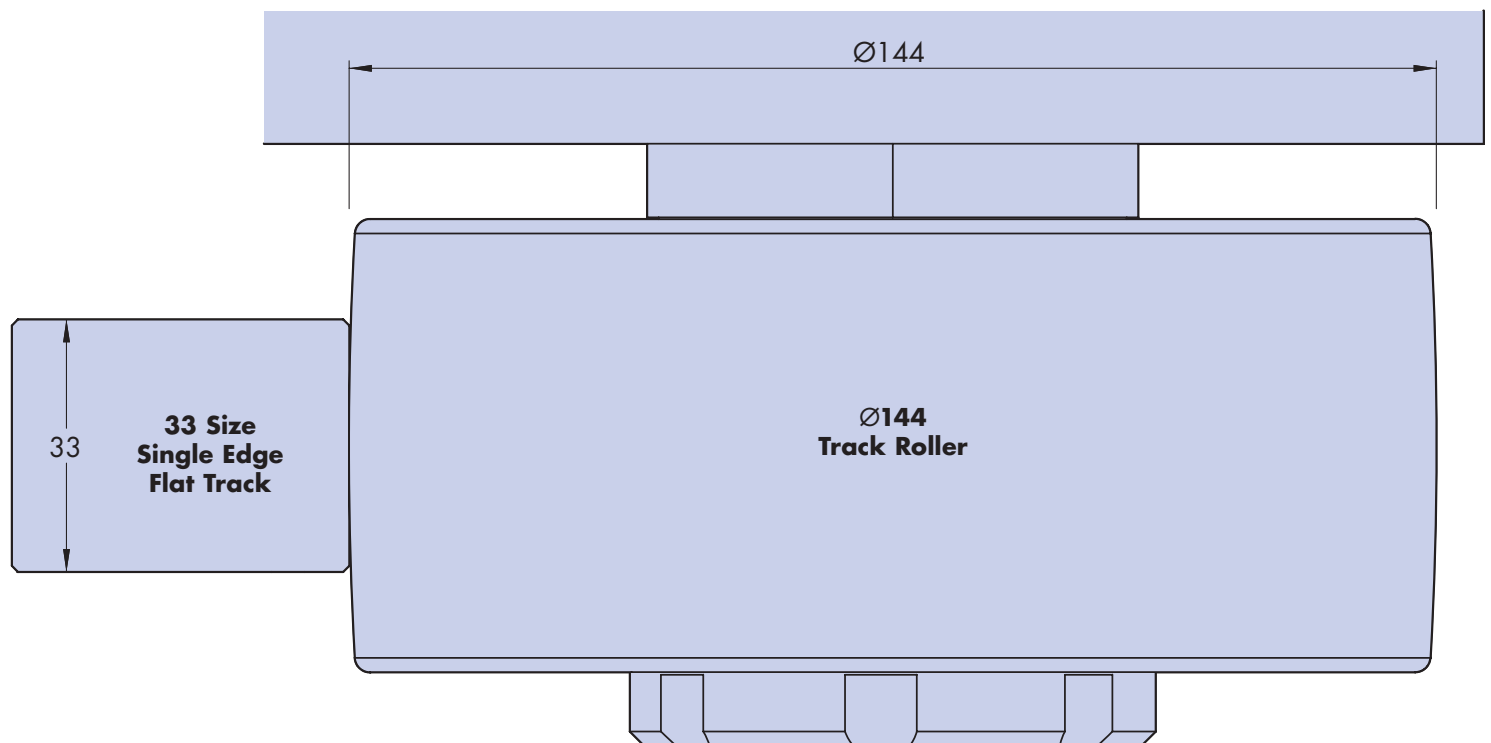
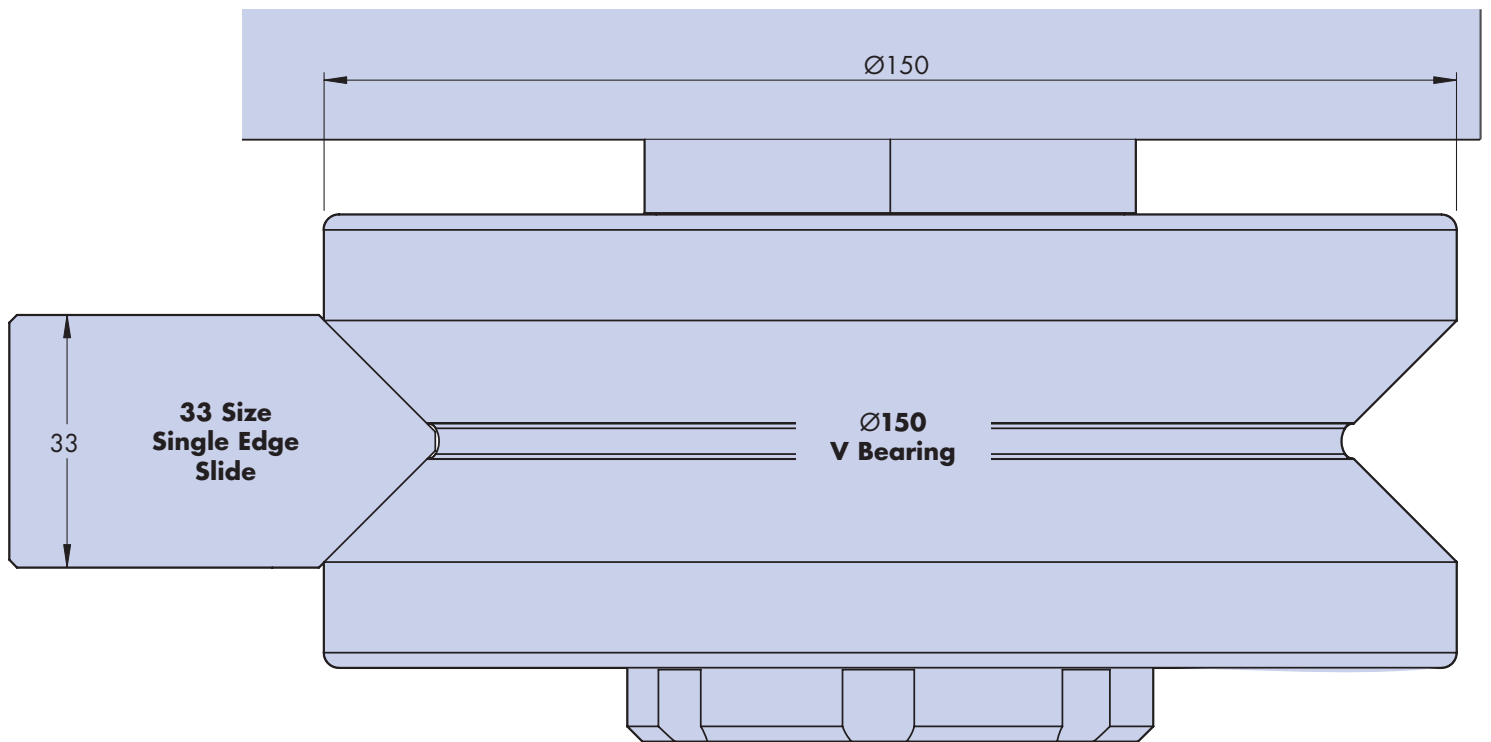
Load capacities apply to steel systems, for stainless steel systems load capacities are 25% lower



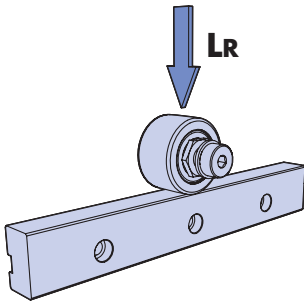
Full Size Illustrations For Initial Selection



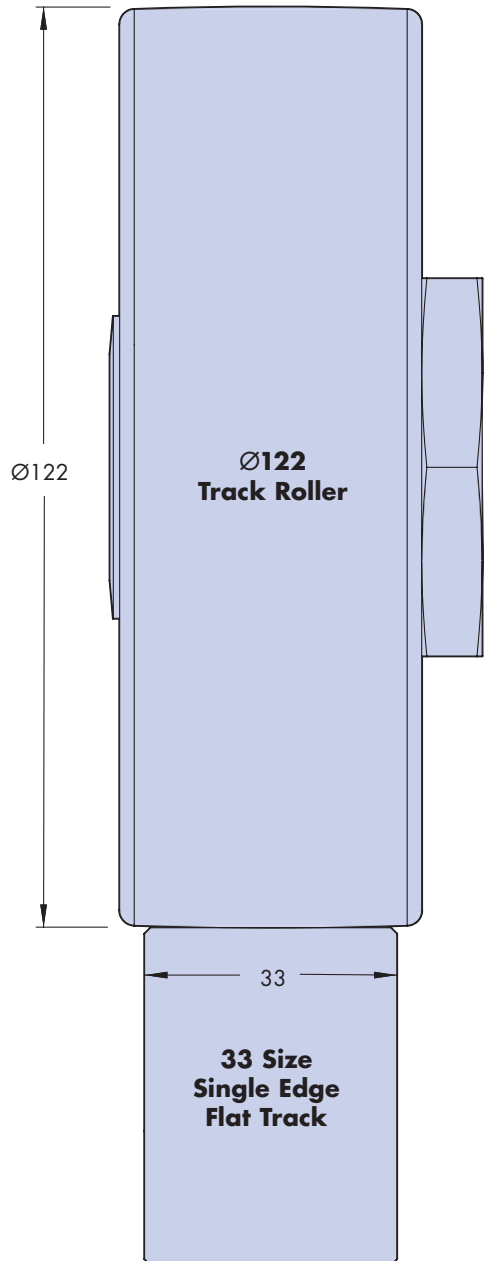
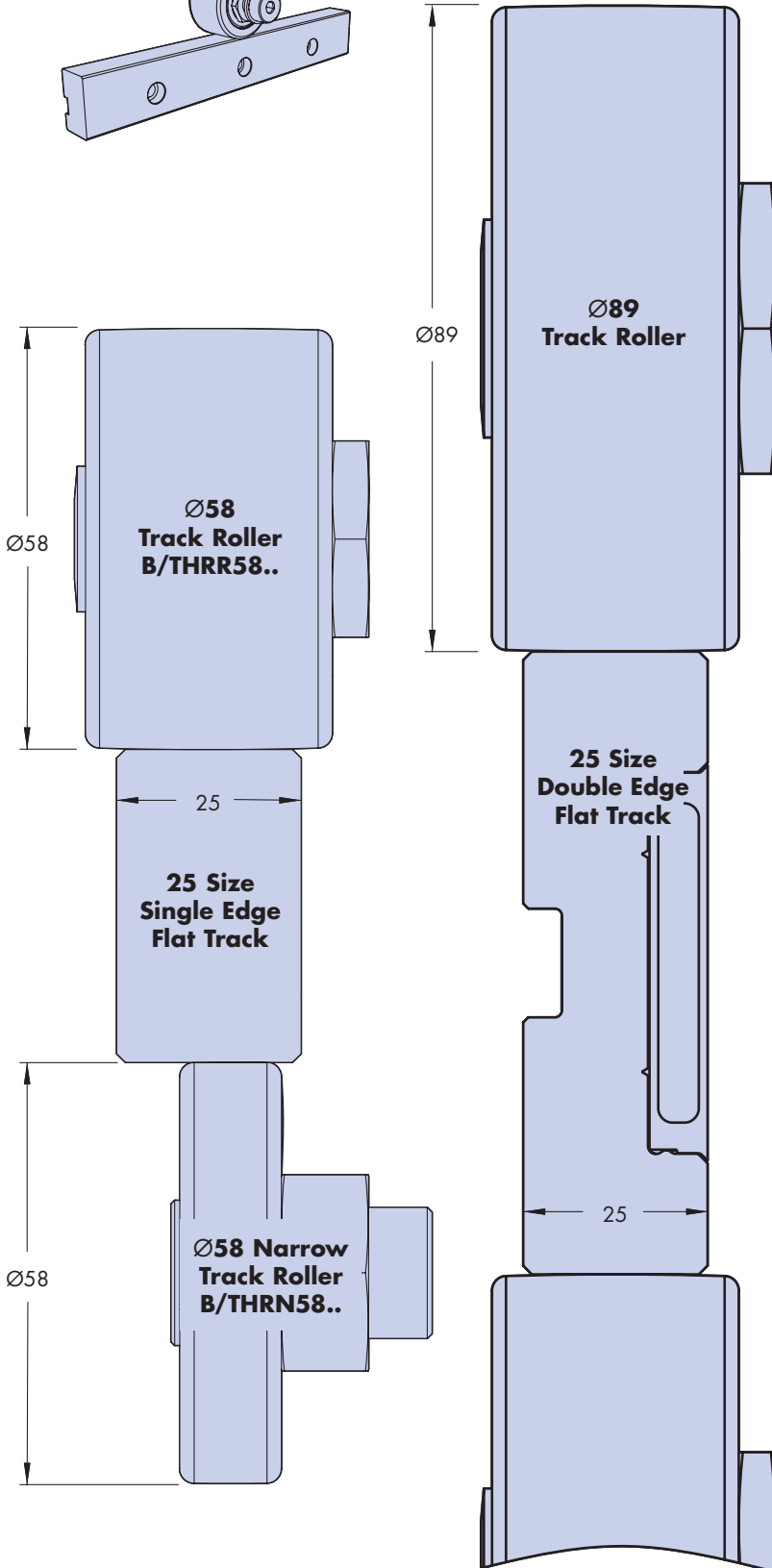
Full Size Illustrations For Initial Selection



Full Size Illustrations For Initial Selection



Track Roller		Load Capacity
Ø	Part No.	LR
58	B/THRN58	5 000N
58	B/THRR58	10 000N
89	B/THRR89	20 000N
122	B/THRR122	30 000N
144	B/THRR144	80 000N





Your partner in quality engineering products since 1986

Thank you for viewing product information on TEA's range of engineering components.

Now please contact us at the nearest office to you for any further information, prices and availability:



AUSTRALIA & New Zealand
T.E.A. Transmissions Pty Ltd
Tahiti Road
Tiaro Qld 4650
Australia

Ph: 61-(0)7 4129 2533
Fax: 61-(0)7 4129 2437
Email: sales@tea.net.au
www.tea.net.au



USA, South America & Canada
T.E.A. Machine Components Inc.
2281-F Dabney Road
Richmond Virginia 23230
USA

Ph: 1-804-342-0004
Fax: 1-804-342-0006
Email: sales@teausa.net
www.teausa.net

You are assured of prompt and efficient service at all time.