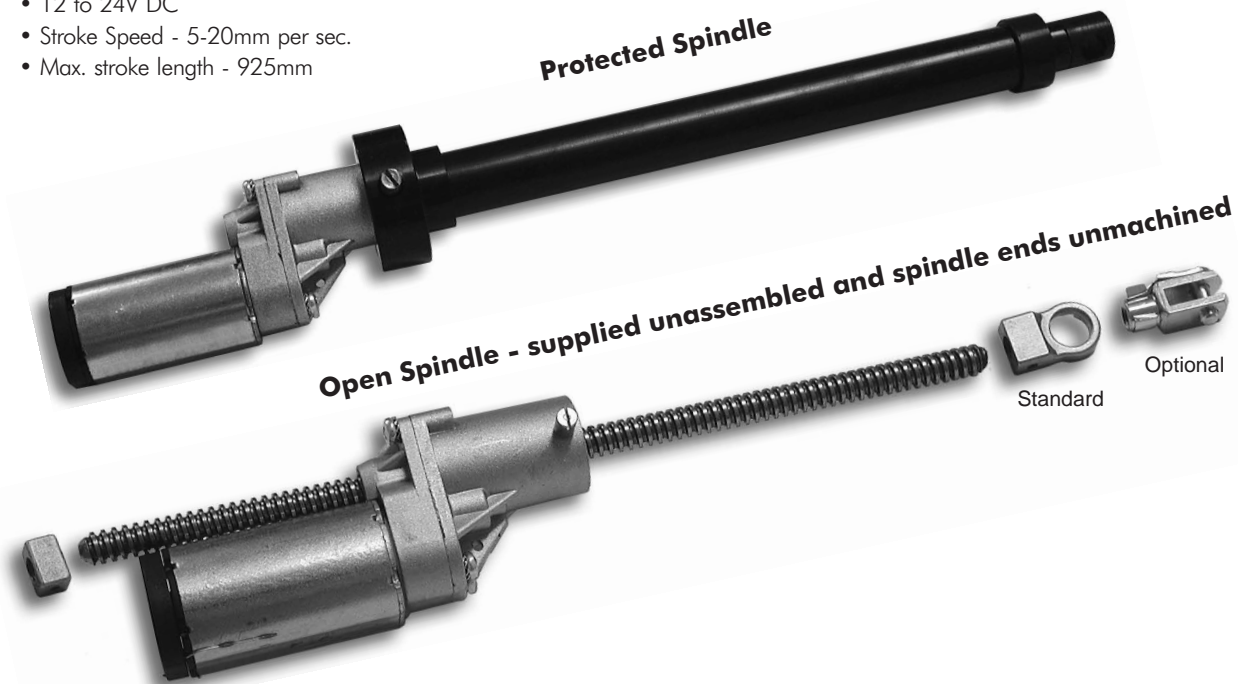


# Powerful Miniature Actuators

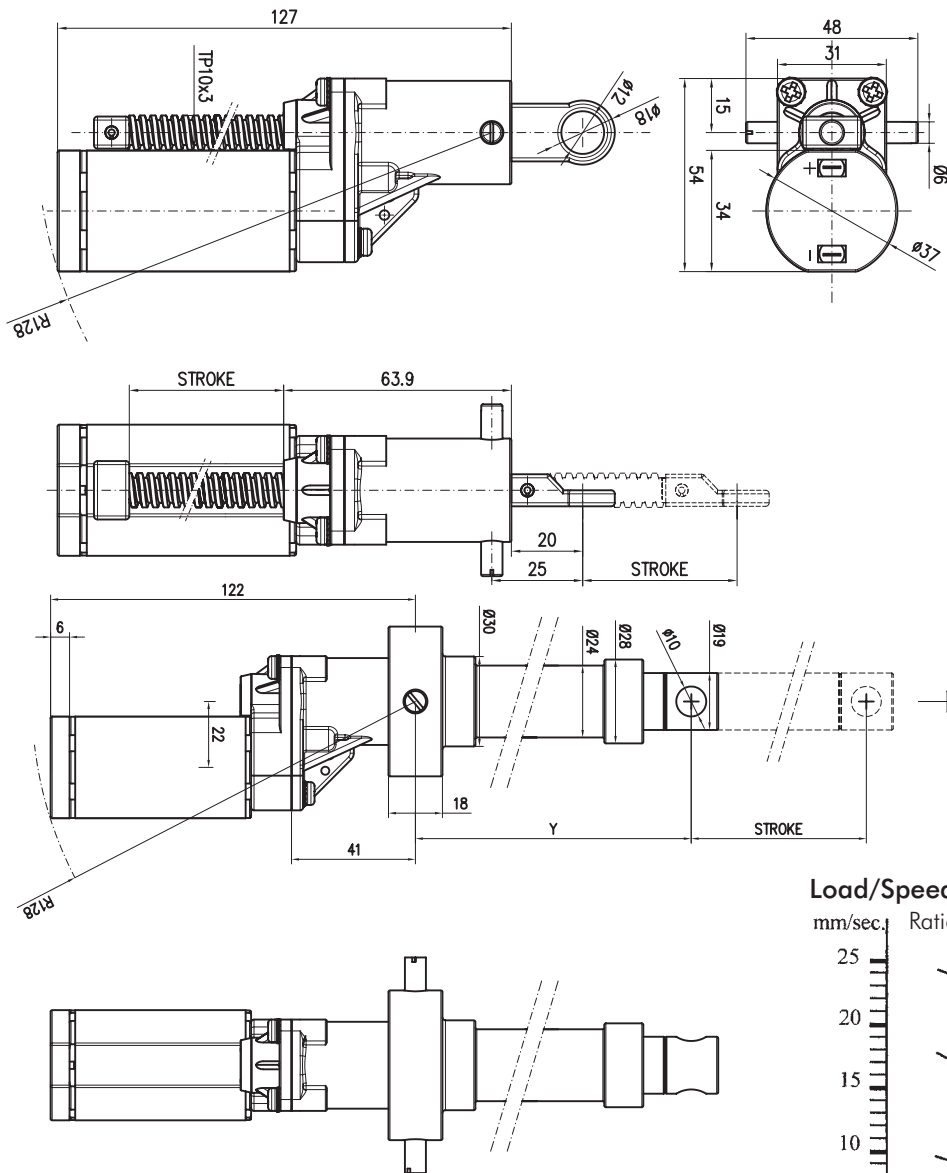
- Compact - only 126.5mm long
- Strong - can lift up to 1200N (120 kg)
- Lightweight - see below
- 12 to 24V DC
- Stroke Speed - 5-20mm per sec.
- Max. stroke length - 925mm



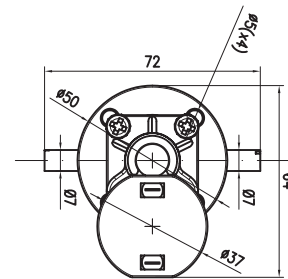
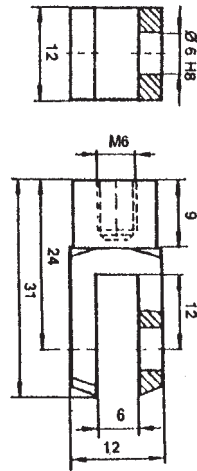
<b>Material:</b>	Spur gear mechanism Spindle nut Spindle	Zinc diecast Hostaform double roller bearing Free cutting steel
<b>Maximum stroke</b>	925mm (observe buckling risk)	
<b>Voltage</b>	0-24V D.C	
<b>Current consumption</b>	0-2 Amp.	
<b>Required input</b>	10-48 VA	
<b>Stroke Speed</b>	5-20mm/sec	
<b>Duty cycle</b>	Intermittent or short time (30-80%)	
<b>Weight</b>	Protected spindle 300mm stroke .94 kg Open spindle 300mm stroke .60kg	
<b>Spindle</b>	TR 10x3 (length = stroke +75mm) <b>Note: Spindle ends unmachined</b>	
<b>Stroke per rpm</b>	0.25mm	
<b>Open spindle type supplied with:</b>	Standard clevis head (machine end of spindle to fit 6mm, secure with supplied split pins) 4 x split pins for securing parts to spindle 2 x threaded pins to mount the unit 1 x end block	
<b>Optional clevis head for open spindle</b>	To attach - spindle must be machined to suit M6	
<b>Grease</b>	Unigear LA 02	

All dimensions are subject to change without notice.

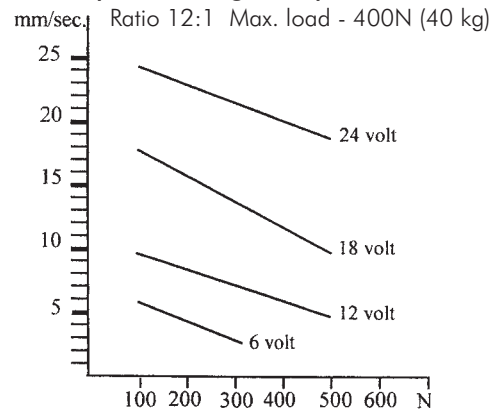
# Powerful Miniature Actuators



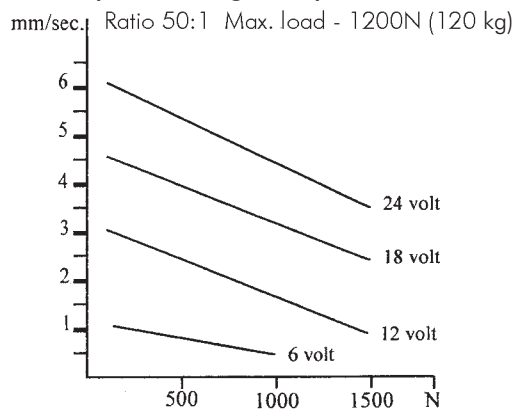
Optional  
Clevis Head  
P/N MHG-GK-6



## Load/Speed/Voltage Graph



## Load/Speed/Voltage Graph



Ratio	Type	Stroke Length	Y mm	Part Number
12:1	Open	Max. 925mm		9908900 + stroke length
50:1	Open	Max. 925mm		9908904 + stroke length
12:1	Protected	50mm	115	9908580
		100mm	165	9908581
		120mm	215	9908582
		200mm	265	9908583
		250mm	315	9908584
		300mm	365	9908585
50:1	Protected	50mm	115	9908550
		100mm	165	9908551
		120mm	215	9908552
		200mm	265	9908553
		250mm	315	9908554
		300mm	365	9908555

All dimensions in mm  
All dimensions are subject to change without notice.



**Thank you! For viewing product information on the T.E.A.  
range of engineering components.**

**T.E.A. Transmissions Pty Ltd**

349 Tahiti Rd, Tiaro

Qld 4650 AUSTRALIA

Ph: 61-(0)7 4129 2533

Fax: 61-(0)7 4129 2437

[sales@tea.net.au](mailto:sales@tea.net.au)

[www.tea.net.au](http://www.tea.net.au)



**Your partner in quality engineering components since 1986**