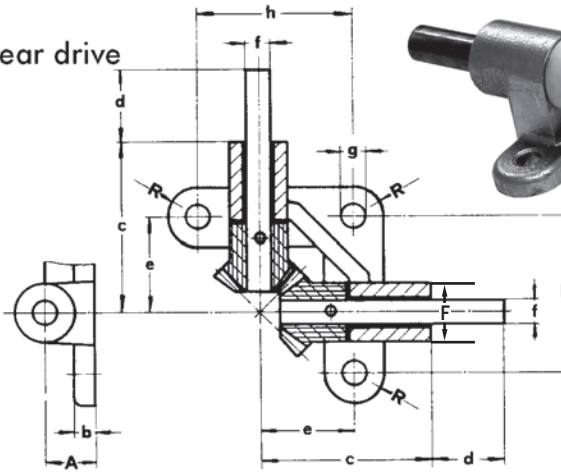


Right Angle Drives - Type PV - Maintenance Free

- An extremely inexpensive bevel gear drive
- Bevel gears: plastic
- Ratio: 1:1
- Case: cast aluminium
- Shafts: steel St 60 ground
- Bearings: plastic
- No axial load
- All sizes generally in stock



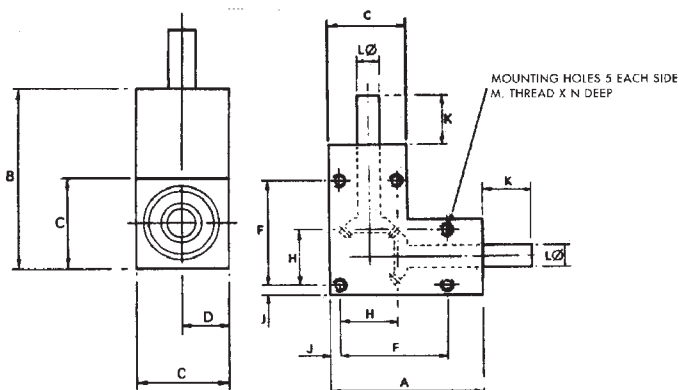
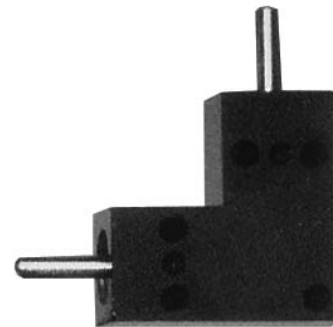
Power in kW

Part No.	Module	A	b	c	d	e	f-h6	g	h	R	F	rpm		
												100	400	800
PV 10	1.0	10	4	35	15	19.4	5	4.8	32	6	13	0.004	0.006	0.01
PV 15	1.5	15	5	50	20	28.4	8	5.8	45	9	20	0.008	0.04	0.06
PV 20	2.0	20	6	60	30	35	10	7	55	11	24	0.01	0.07	0.11
PV 25	2.5	25	7	70	35	41	12	9	65	12.5	26	0.03	0.12	0.22
PV 30	3.0	30	8	80	40	47.5	15	9	75	15	31	0.05	0.21	0.35
PV 35	3.5	35	9	90	45	54	18	11	85	16	35	0.08	0.35	0.65

Right Angle Drives - Type L

High Precision 1:1 Bevel Gearbox with Stainless Steel Shafts

- Case: black anodized aluminium alloy
- Bevel Gears: steel BS 970 817 M40T
- Shafts: stainless steel
- Bearings: ball races sealed or shielded type
- Lubrication: Kenomax 2 Grease - packed for life
- Temperature Range: -20°C to +150°C
- Max. input speed: 3000rpm
- Max. backlash: 1°
- Torque & Speed Graph: available on request



Part No.	L1	L2	L3
Dimension: A	40	60	80
B	40	60	80
C	20	30	40
D	10	15	20
F	25	40	55
H	12	20	30
J	4	5	5
K	15	20	25
L	4	8	12
M	M4	M5	M6
N	5	7	9
Weight grms	80	265	665

All dimensions in mm.
All dimensions are subject to change without notice.



Your partner in quality engineering products since 1986

Thank you for viewing product information on TEA's range of engineering components.

Now please contact us at the nearest office to you for any further information, prices and availability:



AUSTRALIA & New Zealand
T.E.A. Transmissions Pty Ltd
Tahiti Road
Tiara Qld 4650
Australia

Ph: 61-(0)7 4129 2533
Fax: 61-(0)7 4129 2437
Email: sales@tea.net.au
www.tea.net.au



USA & Canada
T.E.A. Machine Components Inc.
2281-F Dabney Road
Richmond Virginia 23230
USA

Ph: 1-804-342-0004
Fax: 1-804-342-0006
Email: sales@teausa.net
www.teausa.net

You are assured of prompt and efficient service at all time.