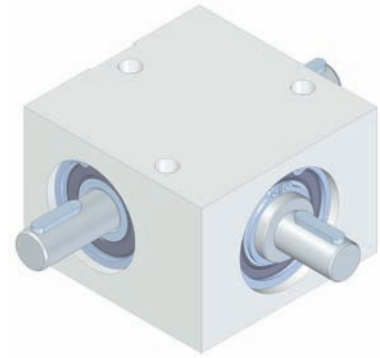


Right Angle Drive - Type LMA

For general mechanical engineering

Type LMA available with 1 or 2 output shaft



- Lightweight design
- Lubrication: Grease - for lifetime
- Ratio: 1:1
- Max input speed: 1000rpm
- Housing: Aluminium alloy

Type	LMA12		LMA24		LMA60		LMA120		LMA240	
n	P	M	P	M	P	M	P	M	P	M
1000	0.083	0.79	0.204	1.95	0.513	4.90	1.026	9.80	2.084	19.90
800	0.067	0.80	0.164	1.96	0.438	5.23	0.842	10.05	1.795	21.43
600	0.050	0.80	0.124	1.98	0.362	5.76	0.723	11.51	1.422	22.63
400	0.034	0.81	0.084	2.00	0.276	6.59	0.552	13.17	0.964	23.02
200	0.017	0.83	0.043	2.03	0.144	6.89	0.297	14.18	0.496	23.69
100	0.009	0.84	0.022	2.07	0.073	6.98	0.150	14.34	0.255	24.39
80	0.007	0.85	0.017	2.08	0.059	7.01	0.120	14.38	0.206	24.62
60	0.005	0.85	0.013	2.10	0.044	7.05	0.091	14.45	0.157	24.91
40	0.004	0.89	0.009	2.25	0.032	7.57	0.064	15.36	0.112	26.74
20	0.002	1.08	0.007	3.13	0.022	10.51	0.043	20.39	0.075	35.96
10	0.001	1.30	0.005	4.34	0.015	14.60	0.028	27.08	0.047	45.00

Lifetime: 6000h

Uniform load

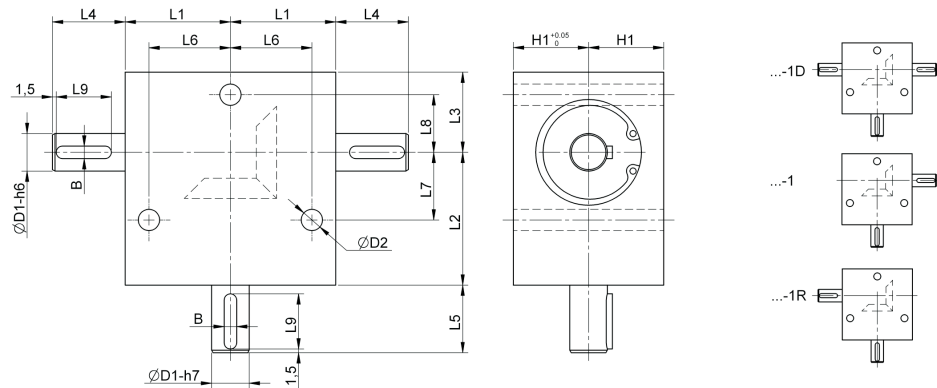
Continuous operation

Abbreviations:

n = Input speed (rpm)

P = Power input (kW)

M = Output torque (Nm)



Part No.	i	D1	D2	H1	L1	L2	L3	L4	L5	L6	L7	L8	L9	B
LMA12-1	1:1	6	5.5	16	20	25.0	17.5	20	17	16.0	17	-	-	-
LMA12-1R	1:1	6	5.5	16	20	25.0	17.5	20	17	16.0	17	-	-	-
LMA12-1D	1:1	6	5.5	16	20	25.0	17.5	20	17	16.0	17	-	-	-
LMA24-1	1:1	8	7.0	21	29	37.0	22.0	17	16	23.0	20	-	12	2
LMA24-1R	1:1	8	7.0	21	29	37.0	22.0	17	16	23.0	20	-	12	2
LMA24-1D	1:1	8	7.0	21	29	37.0	22.0	17	16	23.0	20	-	12	2
LMA60-1	1:1	10	8.5	25	35	43.5	27.5	21	19	27.5	23	-	14	3
LMA60-1R	1:1	10	8.5	25	35	43.5	27.5	21	19	27.5	23	-	14	3
LMA60-1D	1:1	10	8.5	25	35	43.5	27.5	21	19	27.5	23	-	14	3
LMA120-1	1:1	15	8.5	30	42	53.0	32.0	29	27	32.5	27	23	22	5
LMA120-1R	1:1	15	8.5	30	42	53.0	32.0	29	27	32.5	27	23	22	5
LMA120-1D	1:1	15	8.5	30	42	53.0	32.0	29	27	32.5	27	23	22	5
LMA240-1	1:1	17	10.5	35	50	64.0	37.5	31	29	40.0	32	28	22	5
LMA240-1R	1:1	17	10.5	35	50	64.0	37.5	31	29	40.0	32	28	22	5
LMA240-1D	1:1	17	10.5	35	50	64.0	37.5	31	29	40.0	32	28	22	5

All dimensions in mm.

All dimensions are subject to change without notice.



Your partner in quality engineering products since 1986

Thank you for viewing product information on TEA's range of engineering components.

Now please contact us at the nearest office to you for any further information, prices and availability:



AUSTRALIA & New Zealand
T.E.A. Transmissions Pty Ltd
Tahiti Road
Tiaro Qld 4650
Australia

Ph: 61-(0)7 4129 2533
Fax: 61-(0)7 4129 2437
Email: sales@tea.net.au
www.tea.net.au



USA, South America & Canada
T.E.A. Machine Components Inc.
2281-F Dabney Road
Richmond Virginia 23230
USA

Ph: 1-804-342-0004
Fax: 1-804-342-0006
Email: sales@teausa.net
www.teausa.net

You are assured of prompt and efficient service at all time.