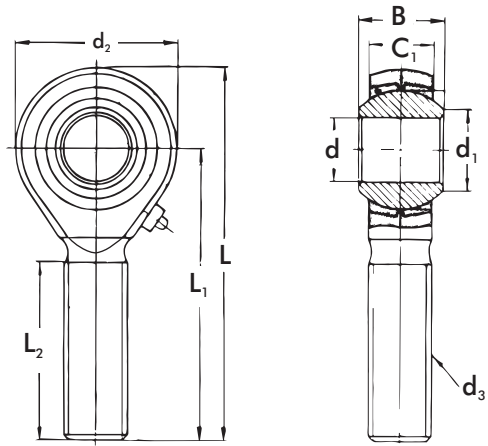


Rod End Male Type



- Insertion type
- With grease nipple
- Male thread
- Material: Body: Zinc plated steel
Ball: Bearing steel
Insert: Outer race lined with bronze liner

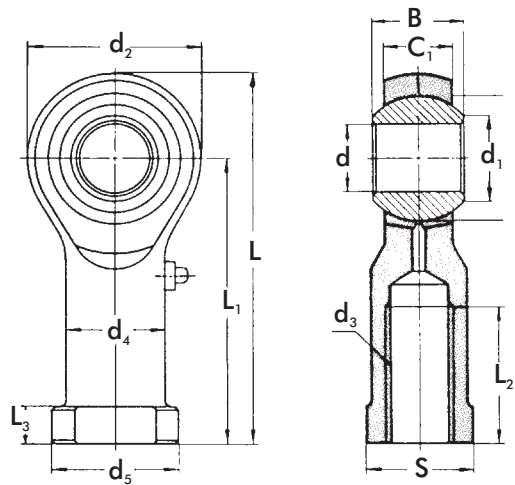
Ordering example:

POS = metric size
ARE = imperial size
L = left hand thread
add to P/N eg. POS-5-L

Part No.	Dimensions in mm										Load Rating kN		Wt. (Kg.)
	d	d ₃	d ₂	C ₁	B	d ₁	L	L ₁	L ₂ Min.	α° »	Dynamic	Static	
	POS 5	5	M 5x0.8	16	6	8	7.70	41	33	20	13	3.25	
POS 6	6	M 6x1.0	18	6.75	9	8.96	45	36	22	13	4.30	7.20	.020
POS 8	8	M 8x1.25	22	9	12	10.4	53	42	25	14	7.20	11.6	.030
POS 10	10	M10x1.5	26	10.5	14	12.9	61	48	29	13	10.0	14.5	.055
POS 12	12	M12x1.75	30	12	16	15.4	69	54	33	13	13.4	17.0	.085
POS 14	14	M14x2.0	34	13.5	19	16.9	77	60	36	16	17.0	24.0	.14
POS 16	16	M16x2.0	40	15	21	19.4	86	66	40	15	21.6	28.5	.21
POS 18	18	M18x1.5	44	16.5	23	21.9	94	72	44	15	26.0	42.5	.28
POS 20	20	M20x1.5	50	18	25	24.4	103	78	47	14	31.5	52.5	.38
POS 22	22	M22x1.5	54	20	28	25.8	111	84	51	15	38.0	57.0	.48
POS 25	25	M24x2.0	60	22	31	29.6	124	94	57	15	47.5	68.0	.64
POS 30	30	M30x2.0	70	25	37	34.8	145	110	66	17	64.0	88.0	1.10
ARE 4	1/4"	UNF-28	18	7	9	9	45	36	22	12.7	2.6	4.5	.022
ARE 5	5/16"	UNF-24	22	9	12	10.4	53	42	25	15.88	4.2	8.3	.037
ARE 6	3/8"	UNF-24	26	10.5	14	12.9	61	48	29	19.05	6.2	13.1	.055
ARE 8	1/2"	UNF-20	30	12	16	15.4	69	54	33	22.23	7.8	16.2	.078
ARE 10	5/8"	UNF-18	38	15	21	19.4	85	66	40	28.58	12.7	24.2	.18
ARE 12	3/4"	UNF-16	46	18	25	24.4	101	78	47	34.93	18.5	33.9	.29

All dimensions are subject to change without notice.

Rod End Female Type



- Insertion type
- With grease nipple
- Female thread
- Material: Body: Zinc plated steel
Ball: Bearing steel
Insert: Outer race lined with bronze liner

Ordering example:

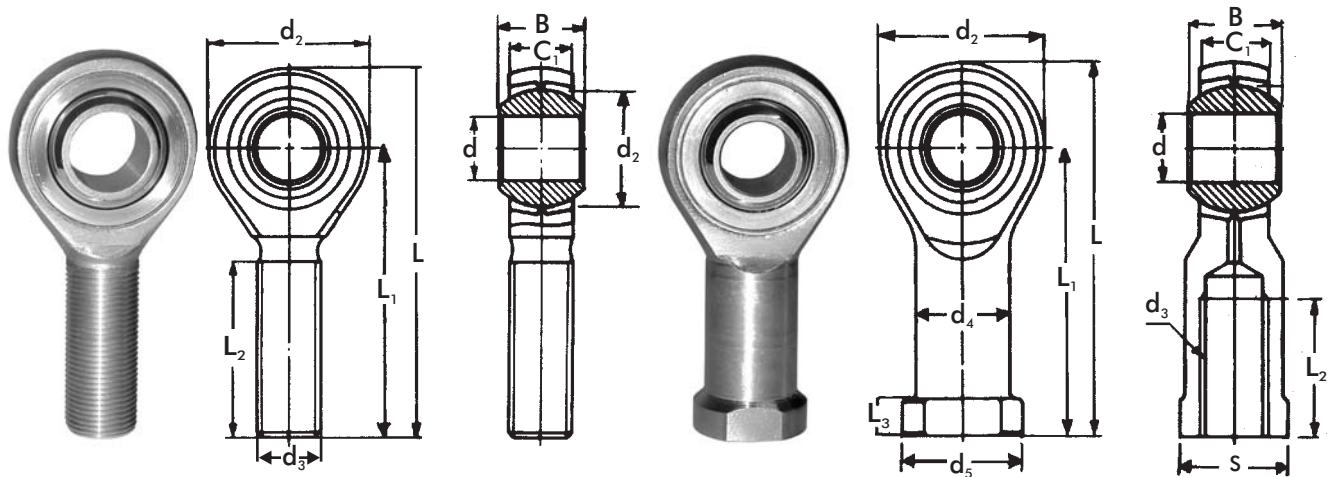
PHS = metric size
AR = imperial size
L = left hand thread
add to P/N eg. PHS-5-L

Part No.	(mm) Dimensions														Load Rating kN		Wt. (Kg)
	d	d ₃	d ₂	C ₁	B	d ₁	L	L ₃	L ₁	L ₂ min.	S	d ₄	d ₅	α°	Dynamic	Static	
	PHS 5	5	M 5x0.8	16	6	8	7.7	35	4	27	10	9	8.5	11	13	3.25	
PHS 6	6	M 6x1.0	18	6.75	9	8.96	39	5	30	12	11	10.0	13	13	4.30	7.20	.022
PHS 8	8	M 8x1.25	22	9	12	10.4	47	5	36	16	14	12.5	16	14	7.20	11.6	.047
PHS 10	10	M10x1.5	26	10.5	14	12.9	56	6.5	43	20	17	15.0	19	13	10.0	14.5	.077
PHS 12	12	M12x1.75	30	12	16	15.4	65	6.5	50	22	19	17.5	22	13	13.4	17.0	.10
PHS 14	14	M14x2.0	34	13.5	19	16.9	74	8	57	25	22	20.0	25	16	17.0	24.0	.16
PHS 16	16	M16x2.0	40	15	21	19.4	84	8	64	28	24	22.0	27	15	21.6	28.5	.22
PHS 18	18	M18x1.5	44	16.5	23	21.9	93	10	71	32	27	25.0	31	15	26.0	42.5	.32
PHS 20	20	M20x1.5	50	18	25	24.4	102	10	77	33	30	27.5	34	14	31.5	42.5	.42
PHS 22	22	M22x1.5	54	20	28	25.8	111	12	84	37	32	30.0	38	15	38.0	57.0	.54
PHS 25	25	M24x2.0	60	22	31	29.6	124	12	94	42	36	33.5	42	15	47.5	68.0	.73
PHS 28	28	M27x2.0	66	24	35	32.3	136	14	103	48	41	37.0	46	15	58.0	75.0	.98
PHS 30	30	M30x2.0	70	25	37	34.8	145	15	110	51	41	40.0	50	17	64.0	88.0	1.10
AR 4	1/4"	UNF-28	18	7	9	9	39	5	30	14	11	10	13	12.7	2.65	4.5	.025
AR 5	5/16"	UNF-24	22	9	12	10.4	47	5	36	17	14	12.5	16	15.88	4.2	8.3	.036
AR 6	3/8"	UNF-24	26	10.5	14	12.9	57	6.5	43	21	17	15	19	19.05	6.2	13.1	.061
AR 8	1/2"	UNF-20	30	12	16	15.4	66	6.5	50	24	19	17.5	22	22.23	7.8	16.2	.081
AR 10	5/8"	UNF-18	38	15	21	19.4	83	8	64	33	22	22	27	28.58	12.7	24.2	.190
AR 12	3/4"	UNF-16	46	18	25	24.4	100	10	77	40	30	27.5	37	34.93	18.5	33.9	.285

All dimensions are subject to change without notice.

Stainless Steel Rod Ends

Metric - Maintenance Free



Male - POS ... SS

Female - PHS ... SS

Part No.		Dimensions in mm															α° »	Load Ratings (kN)	
Male	Female	d	d ₃	d ₂ max.	C ₁ max.	B	Male			Female						Dynamic		Static	
							L	L ₁	L ₂ min.	L	L ₁	L ₂ min.	d ₄	d ₅	L ₃				S
POS 6 SS	PHS 6 SS	6	M6x1.0	20	6.75	9	46	36	21	40	30	12	10	13	5	11	13	7.20	7.65
POS 8 SS	PHS 8 SS	8	M8x1.25	24	9	12	54	42	25	48	36	16	12.5	16	5	14	14	11.6	12.9
POS 10 SS	PHS 10 SS	10	M10x1.5	28	10.5	14	62	48	28	57	43	20	15	19	6.5	17	13	14.5	18
POS 12 SS	PHS 12 SS	12	M12x1.75	32	12	16	70	54	32	66	50	22	17.5	22	6.5	19	13	17	24
POS 16 SS	PHS 16 SS	16	M16x2.0	42	15	21	87	66	37	85	64	28	22	27	8	22	15	28.5	39
POS 20 SS	PHS 20 SS	20	M20x1.5	50	18	25	103	78	45	102	77	33	27.5	34	10	30	14	42.5	57

Size	Weight g	
	Male	Female
6	20	22
8	38	47
10	55	77
12	85	100
16	210	200
20	380	420

Specifications:

Body: Stainless steel SS304

Race: Stainless steel SS304C, PTFE Liners bonded to I.D.

Ball: AISI 440C stainless steel, heat treated

PTFE = poly tetra fluoro ethylene - self lubricating

Left Hand Thread:

Add "L" to prefix to indicate left hand thread

eg. POS 6 L SS

Stainless Steel Rod Ends

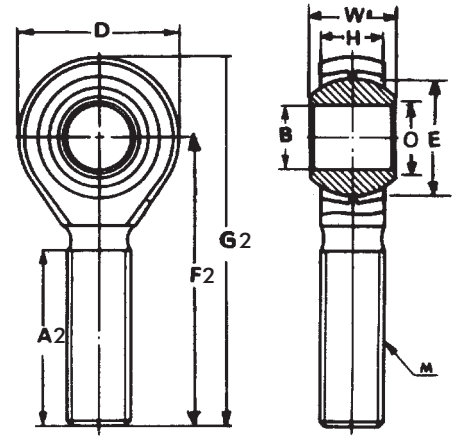
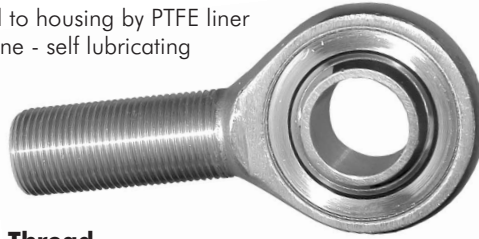
Inch sizes

Male & Female - Right & Left

Material:

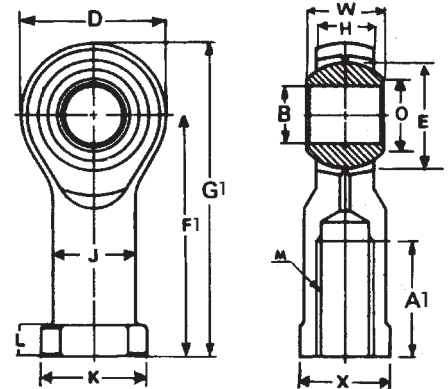
Housing: SS304

Ball: SS440C heat treated - bonded to housing by PTFE liner
 PTFE = poly tetra fluoro ethylene - self lubricating



Male Rod End - Right Hand Thread

Male Part No.	B	W	H	O	D	F2	G2	A2	E	Thread M	Maximum static load kN		Approx. Wt gm.
											Radial	Axial	
PIM 3/16 SS	.1900	.312	.250	.306	.625	1.250	1.563	.750	.4375	.1900 UNF-32	3.0	2.11	14
PIM 1/4 SS	.2500	.375	.281	.355	.750	1.562	1.937	1.000	.5156	.2500 UNF-28	4.44	2.67	23
PIM 5/16 SS	.3125	.437	.344	.447	.875	1.875	2.312	1.250	.6250	.3125 UNF-24	7.56	4.0	37
PIM 3/8 SS	.3750	.500	.406	.517	1.000	1.938	2.438	1.250	.7187	.3750 UNF-24	12.45	5.78	55
PIM 7/16 SS	.4375	.562	.437	.586	1.125	2.125	2.688	1.375	.8125	.4375 UNF-20	15.79	7.34	78
PIM 1/2 SS	.5000	.625	.500	.698	1.312	2.438	3.094	1.500	.937	.5000 UNF-20	20.02	10.44	123
PIM 5/8 SS	.6250	.750	.562	.839	1.500	2.625	3.375	1.625	1.125	.6250 UNF-18	24.02	12.45	186
PIM 3/4 SS	.7500	.875	.687	.978	1.750	2.875	3.750	1.750	1.312	.7500 UNF-16	33.91	17.79	295



Female Rod End - Right Hand Thread

Female Part No.	B	W	H	O	D	F1	G1	A1	K	X	J	L	E	Thread M	Maximum static load kN		Approx. Wt gm.
															Radial	Axial	
PIF 3/16 SS	.1900	.312	.250	.306	.625	1.062	1.375	.562	.406	.312	.312	.187	.4375	.1900 UNF-32	6.02	2.22	14
PIF 1/4 SS	.2500	.375	.281	.355	.750	1.312	1.687	.750	.468	.375	.375	.187	.5156	.2500 UNF-28	6.78	2.67	23
PIF 5/16 SS	.3125	.437	.344	.447	.875	1.375	1.812	.750	.500	.437	.437	.187	.6250	.3125 UNF-24	9.33	4.11	37
PIF 3/8 SS	.3750	.500	.406	.517	1.000	1.625	2.125	.937	.687	.562	.500	.250	.7187	.3750 UNF-24	12.89	6.00	59
PIF 7/16 SS	.4375	.562	.437	.586	1.125	1.812	2.375	1.062	.750	.625	.562	.250	.8125	.4375 UNF-20	16.00	7.78	82
PIF 1/2 SS	.5000	.625	.500	.698	1.312	2.125	2.781	1.187	.875	.750	.625	.250	.937	.5000 UNF-20	20.01	10.0	132
PIF 5/8 SS	.6250	.750	.562	.839	1.500	2.500	3.250	1.500	1.000	.875	.750	.312	1.125	.6250 UNF-18	24.01	12.45	191
PIF 3/4 SS	.7500	.875	.687	.978	1.750	2.875	3.750	1.750	1.125	1.000	.875	.312	1.312	.7500 UNF-16	33.80	18.23	286

For left hand thread add "L" to Part No. eg. PIF3/16 L SS
 All dimensions are subject to change without notice.



Your partner in quality engineering products since 1986

Thank you for viewing product information on TEA's range of engineering components.

Now please contact us at the nearest office to you for any further information, prices and availability:



AUSTRALIA & New Zealand
T.E.A. Transmissions Pty Ltd
Tahiti Road
Tiaro Qld 4650
Australia

Ph: 61-(0)7 4129 2533
Fax: 61-(0)7 4129 2437
Email: sales@tea.net.au
www.tea.net.au



USA, South America & Canada
T.E.A. Machine Components Inc.
2281-F Dabney Road
Richmond Virginia 23230
USA

Ph: 1-804-342-0004
Fax: 1-804-342-0006
Email: sales@teausa.net
www.teausa.net

You are assured of prompt and efficient service at all time.