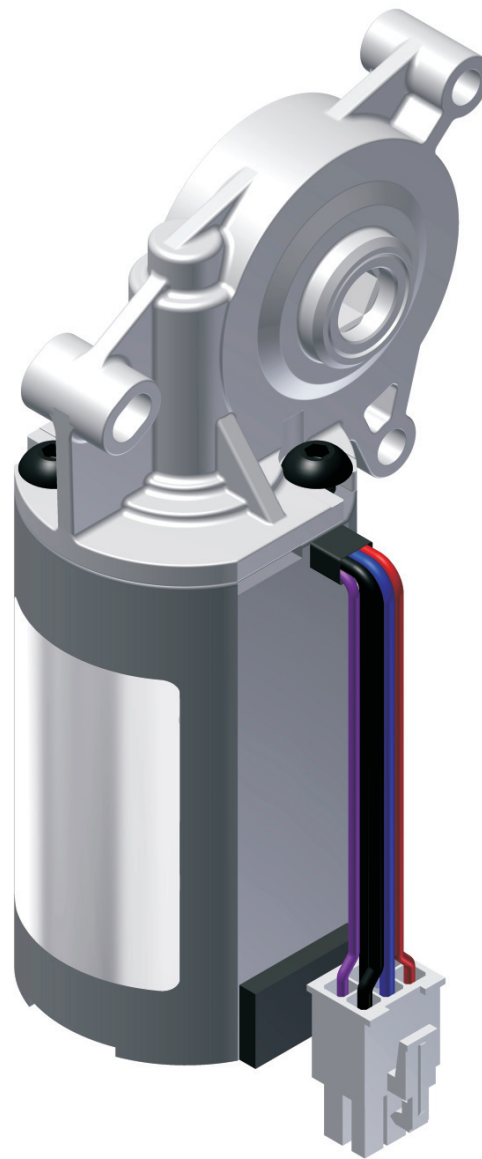


Motor drive



Motor drive

3 1 3 3



Description:

Motor drive with through-going hexagon socket.
24V-DC motor with worm gear.

Special features:

Motor with integrated position measuring system
Simple mounting. Applicable with all Ketterer
spindle systems.

- very powerfull.

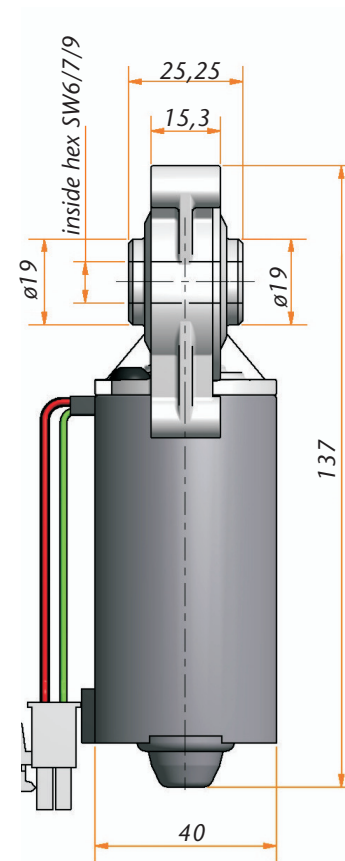
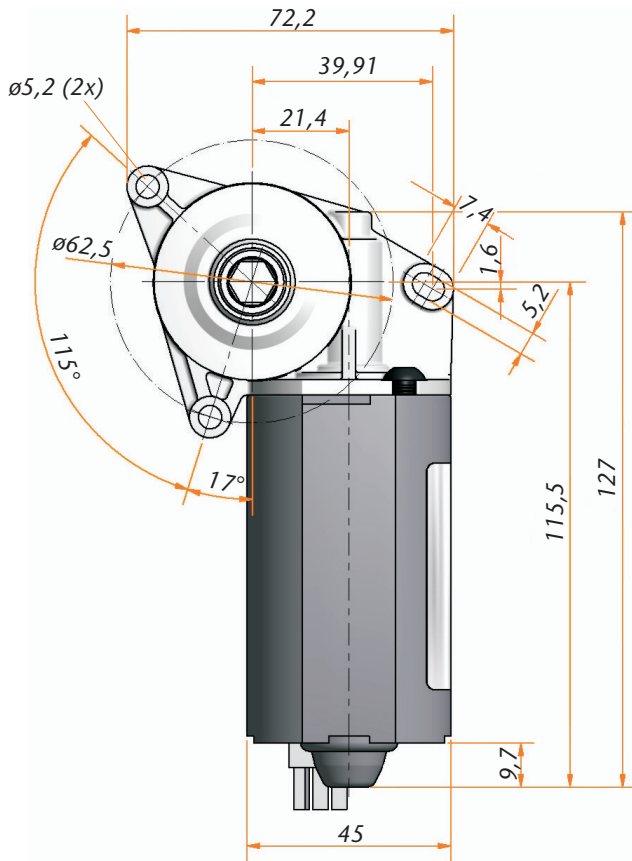
Customer specific:

Compact motor drive for customer specific
applications. Simply adaptable by hexagon socket
and three separate fastening bores.

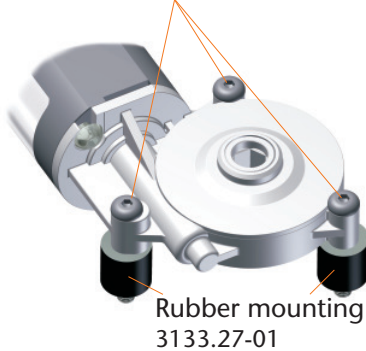
Caution:

See technical data sheet.

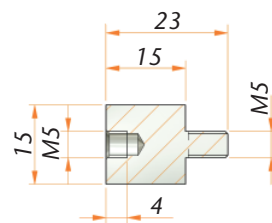
Motor drive 3133



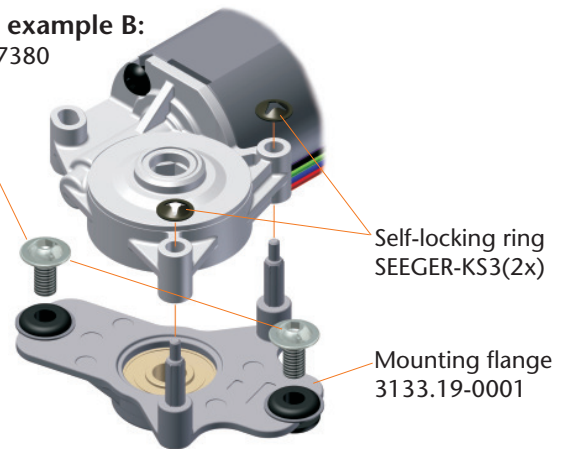
Mounting example A:
Screw DIN 7318 M5x18 (3x)



Rubber mounting



Mounting example B:
Screw DIN 7380 M6x12 (2x)



Technical Data

Model	3133.00-0001	3133.00-0002	3133.00-0003
Motor	DC Motor 24 V	DC Motor 24 V	DC Motor 24 V
Sensor/feed in	Hall/5 V DC/0,3A	Hall/5 V DC/0,3A	Hall/5 V DC/0,3A
Type of protection	IP30	IP30	IP30
Duty cycle	20% (at 5 min.)	20% (at 5 min.)	20% (at 5 min.)
Idle running speed	120 rpm (24 V) 120 rpm. *	120 rpm (24 V) 120 rpm. *	120 rpm. (24 V) 120 rpm. *
Input	inside hex 9 mm	inside hex 6 mm	inside hex 7 mm
Max. input torque	5 Nm	5 Nm	5 Nm

* in combination with LogicData control box Compact-3



Your partner in quality engineering products since 1986

Thank you for viewing product information on TEA's range of engineering components.

Now please contact us at the nearest office to you for any further information, prices and availability:



AUSTRALIA, New Zealand & Asia
T.E.A. Transmissions Pty Ltd
Tahiti Road
Tiaro Qld 4650
Australia

Ph: 61-(0)7 4129 2533
Fax: 61-(0)7 4129 2437
Email: sales@tea.net.au
www.tea.net.au



USA & Canada
T.E.A. Machine Components Inc.
2281-F Dabney Road
Richmond Virginia 23230
USA

Ph: 1-804-342-0004
Fax: 1-804-342-0006
Email: sales@teausa.net
www.teausa.net

You are assured of prompt and efficient service at all time.