



WINKEL ROBOT RLE PRODUCT ENQUIRY AXIS SYSTEM



THREE AXIS

LOAD TYPE AND DIMENSIONS

1. Environment Conditions
i.e. Logistic, Foundry, construction industry or dry, wet, dirty...
2. Load type
i.e. Container, Pallets...
3. Load type length l(mm)
4. Load type width b(mm)
5. Load type height h(mm)
6. Cycles per hourn

TECHNICAL DATA

1. Load capacity Q *kg
2. Weight gripperkg
3. Load center Qx(mm)
4. Load center Qy(mm)
- Without support
5. Height Support(mm)
6. Stroke xh(mm)

- 7. Basic Length XL(mm)
- 8. Stroke yh.....(mm)
- 9. Basic Length YL(mm)
- 10. Stroke zh.....(mm)
- 11. Ceiling height(mm)

CONFIGURATION DRIVE DATA

DRIVE DATA X

- 1. Travel Speed Xm/s
- 2. Driving Speed Xm/s
- 3. Time per stroke X.....s

DRIVE DATA Y

- 1. Travel Speed Ym/s
- 2. Driving Speed Y²m/s
- 3. Time per stroke Y.....s

DRIVE DATA Z

- 1. Travel Speed Zm/s
- 2. Driving Speed Zm/s
- 3. Time per stroke Z.....s

REPEATABILITY

- 1 mm
- 0,1 mm

ADDITIONAL INFORMATION

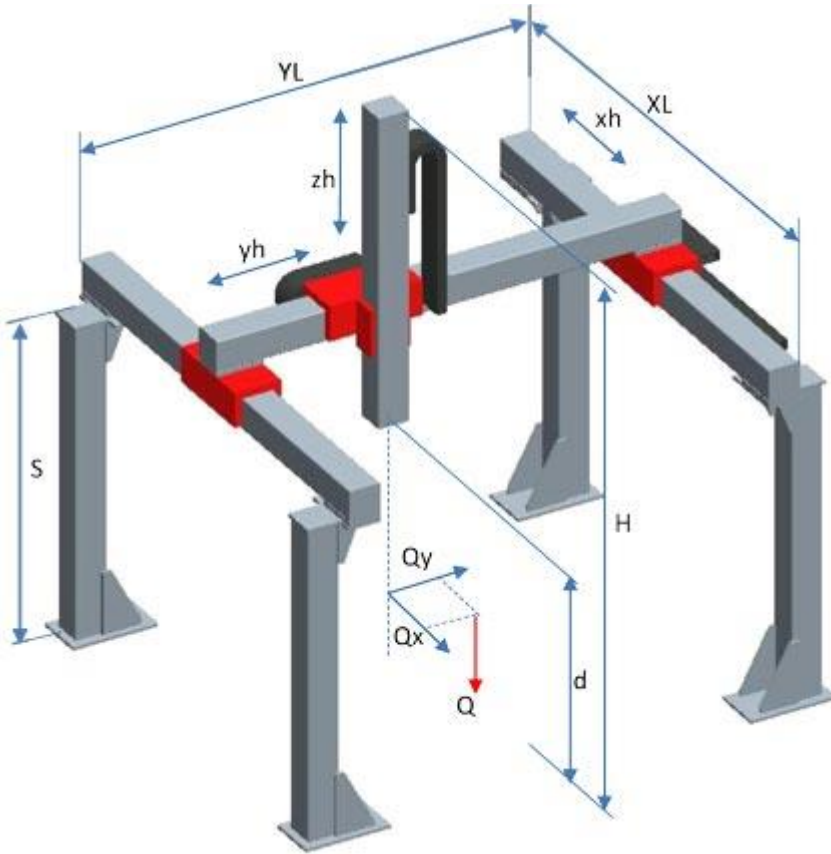
.....

.....

.....

.....
.....
.....
.....

DRAWING



T.E.A. Transmissions Pty Ltd
www.tea.net.au
sales@tea.net.au